

"THE MATERIAL HEREIN IS FOR INFORMATION PURPOSES ONLY AND IS SUBJECT TO CHANGE WITHOUT NOTICE. DIGITAL EQUIPMENT CORPORATION ASSUMES NO RESPONSIBILITY FOR ANY ERRORS WHICH MAY APPEAR HEREIN."

DRAWING DIRECTORY

"THIS DRAWING AND SPECIFICATIONS, HEREIN, ARE THE PROPERTY OF DIGITAL EQUIPMENT CORPORATION AND SHALL NOT BE REPRODUCED OR COPIED OR USED IN WHOLE OR IN PART AS THE BASIS FOR THE MANUFACTURE OR SALE OF ITEMS WITHOUT WRITTEN PERMISSION. COPYRIGHT © 1977 DIGITAL EQUIPMENT CORPORATION."

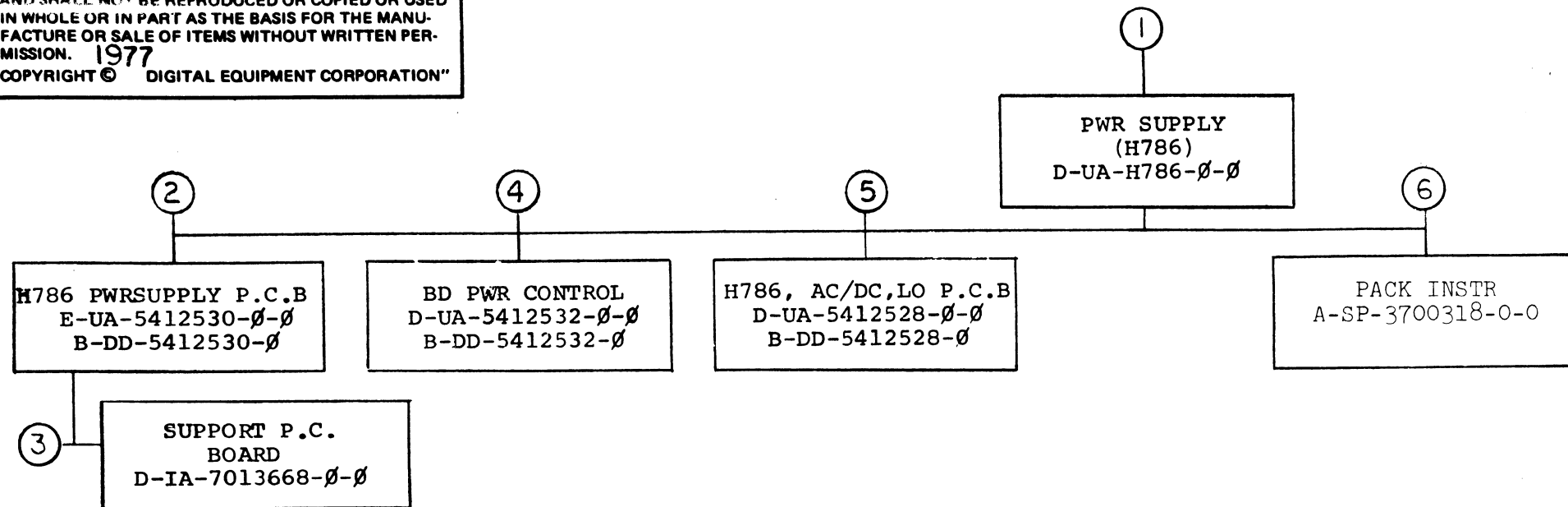
UNIT VARIATIONS	
VAR	TITLE
H786	H786 POWER SUPPLY

REV. H786-2	

USED ON OPTION/MODEL	DRN.	DATE
B111-N	<i>B. Blodgett</i>	2 MAY 77
	CHK'D.	DATE
	<i>J. Fetsch</i>	2 MAR 77
	PROJ. ENG.	DATE
	<i>J. H. H.</i>	9 SEPT 77
	PROD.	DATE
	<i>J. Hamilton</i>	9 SEPT 77
SHEET 1 OF 3		

TITLE	H786	Digital	
TITLE	POWER SUPPLY		
SIZE	CODE	NUMBER	REV
B	DD	H786-Ø	A
DIST.			

"THIS DRAWING AND SPECIFICATIONS, HEREIN, ARE THE PROPERTY OF DIGITAL EQUIPMENT CORPORATION AND SHALL NOT BE REPRODUCED OR COPIED OR USED IN WHOLE OR IN PART AS THE BASIS FOR THE MANUFACTURE OR SALE OF ITEMS WITHOUT WRITTEN PERMISSION. 1977
 COPYRIGHT © DIGITAL EQUIPMENT CORPORATION"



TITLE	SIZE CODE	NUMBER	REV
H786 PWR. SUPPLY	SHEET 2 OF 3 B DD	H786 - Ø	A

FIND NO.	DRAWING NO.	DESCRIPTION	TYPE	FIND NO.	DRAWING NO.	DESCRIPTION	TYPE
1	D-UA-H786-Ø-Ø	PWR. SUPPLY (H786)	E/M				
	E-IA-7418236-Ø-Ø	CHASSIS, PWR SUPPLY	M				
	A-SP-H786-0-2	ENG. SPEC. H786 POWER SUPPLY	-				
	A-PS-3615632-0-0	H786 POWER SUPPLY REVISION LABEL	M				
2	B-DD-5412530-Ø	H786 POWER SUPPLY, MASTER BOARD	—				
3	D-IA-7013668-Ø-Ø	SUPPORT PRINTED CIRCUIT BOARD	M				
	C-MD-7418386-Ø-Ø	CARD SUPPORT	M				
	B-MD-7418387-Ø-Ø	TIE BAR	M				
	C-MD-7418385-Ø-Ø	RAIL	M				
4	B-DD-5412532-0	PWR. CONTROL BOARD,	—				
5	B-DD-5412528-0	H786 AC/DC LO PC BOARD,	—				
6	A-SP-3700318-0-0	PACK INSTR. P.S. H786	-				

TYPE: E ELECTRICAL
M MECHANICAL
E/M ELECTRO/MECHANICAL



TITLE H786 PWR. SUPPLY

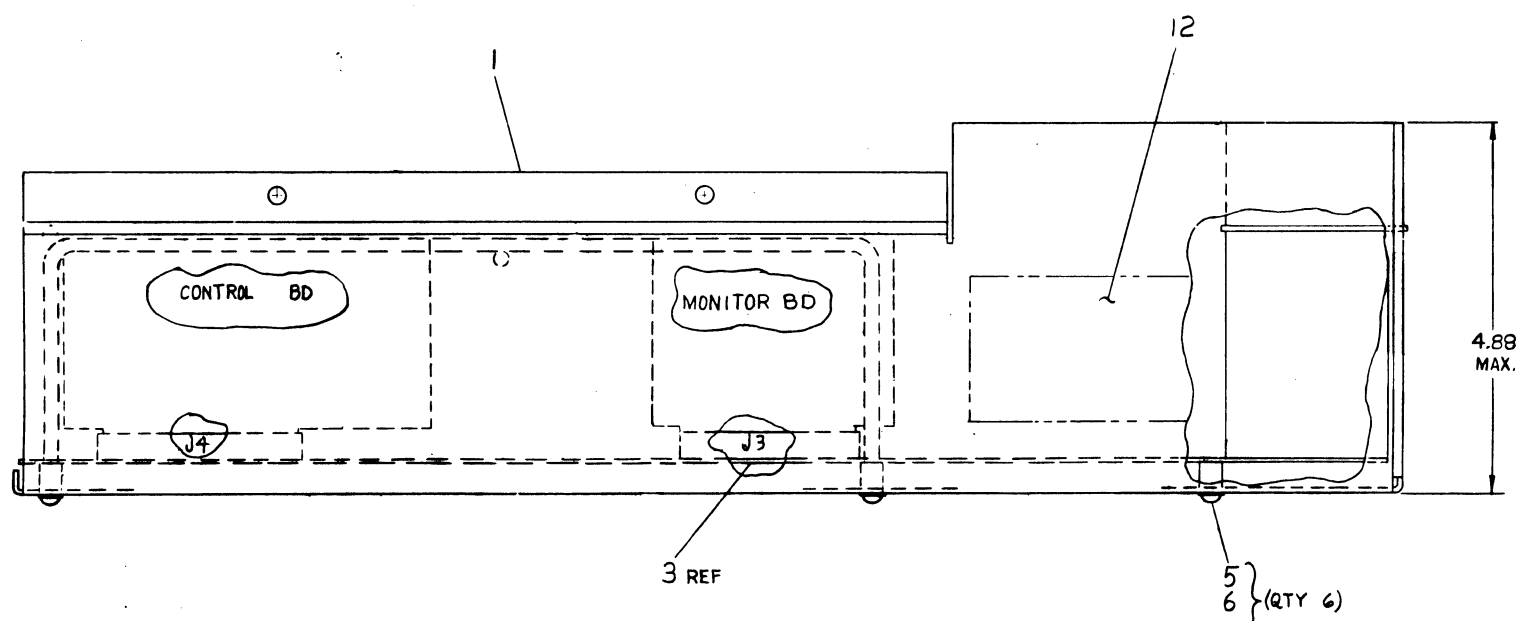
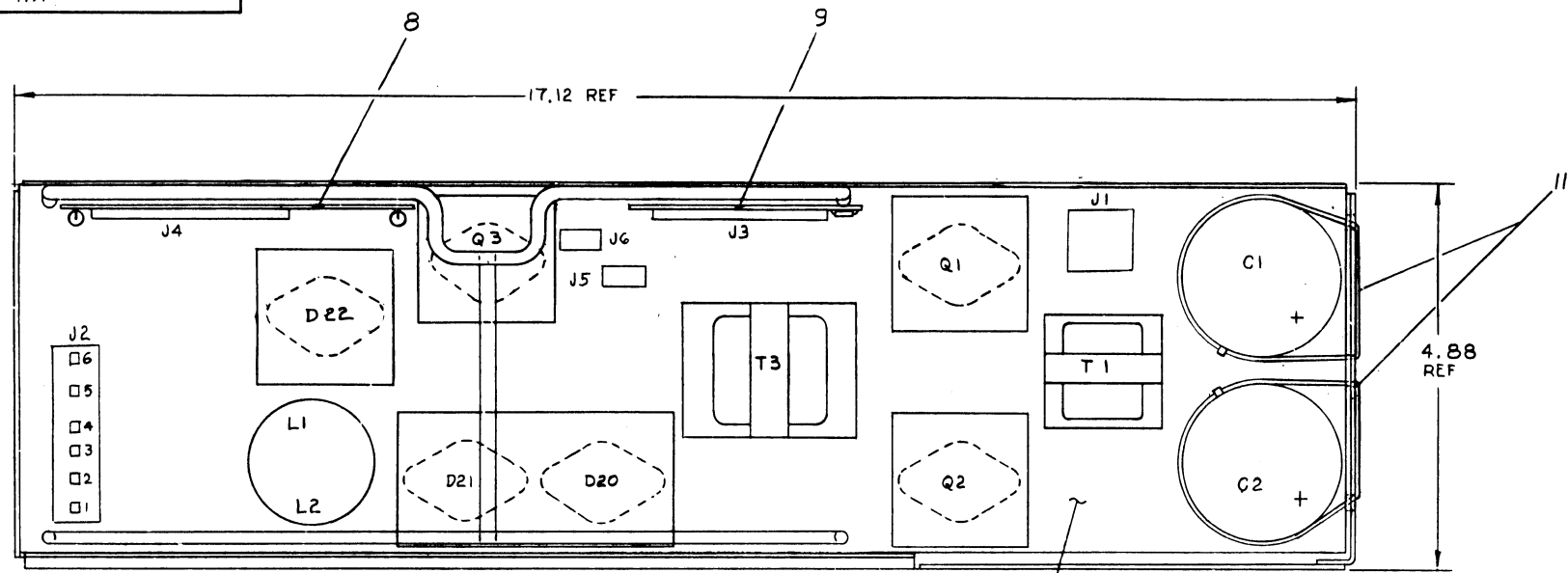
SHEET 3 OF 3

SIZE CODE B DD

NUMBER H786 - Ø

REV A

THIS DRAWING AND SPECIFICATIONS, HEREIN, ARE THE PROPERTY OF DIGITAL EQUIPMENT CORPORATION AND SHALL NOT BE REPRODUCED OR COPIED IN WHOLE OR IN PART, AS THE BASIS FOR THE MANUFACTURE OR SALE OF ITEMS WITHOUT WRITTEN PERMISSION. COPYRIGHT © 1977, DIGITAL EQUIPMENT CORPORATION



ITEM NO.	DESCRIPTION	DWG./PART NO.	ITEM NO.
1	LABEL, REVISION	A-PS-3615632-00	12
2	CABLE TIE	9009617	11
1	INSTR. PKG. PS H786	A-PS-3700318-0-0	10
1	H786 AC/DC LO PCB	D-UA-5412528-0-0	9
1	PWR, CONTROL BD.	D-UA-5412532-0-0	8
2	WASHER, FLAT #6	9006633-00	6
7	WASHER, LOCK INT TOOTH #6	9006633-00	6
7	SCREW, PHL. PAN HD. #6-32 X.25	9006020-01	5
2	SCREW, PHL. PAN HD. #6-32 X.25	9006032-01	5
1	H786 PWR. SUPPLY BD.	E-UA-5412530-0-0	3
1	CLAMP, CAPACITOR	6-1A-7418235-0-0	2
1	CHASSIS, PWR. SUPPLY	E-1A-7418236-0-0	1

THIRD ANGLE PROJECTION

REMOVE BURRS AND BREAK SHARP CORNERS

DO NOT SCALE DWG

MATERIAL SEE PARTS LIST

FINISH

DESCRIPTION	DWG./PART NO.	ITEM NO.				
UNLESS OTHERWISE SPECIFIED DIMENSIONS ARE IN INCHES						
ANGLES 90° 30'	CLASS OF ACCURACY	NOMINAL DIMENSION RANGE INCHES				
SURFACE QUALITY IN	MICROINCHES	OVER 0.2 TO 1.2	OVER 1.2 TO 4.0	OVER 4.0 TO 12.0	OVER 12.0 TO 40.0	OVER 40.0 TO 80.0
		±.008	±.012	±.016	±.024	±.030
PREFERRED		±.012	±.016	±.024	±.030	±.040

QUANTITY & VARIATION

DRN. J. Kalagher 20 JAN 77

CHK'D J. Kalagher 20 JAN 77

ENG. J. Kalagher 1 JAN 77

PROJ. ENG. J. Kalagher 1 JAN 77

PROD. R. Handberg 15 JAN 77

FIRST USED ON BALL-N

TITLE H786 POWER SUPPLY ASSY

SIZE CODE D UA

NUMBER H786-0-0

REV. B

SHEET OF 1 DIST

REV.	CHANGE NO.	DESCRIPTION
A	11786-00001	J. KALAGHER 16 JAN 77
B	11786-00002	J. KALAGHER 20 JAN 77
C	11786-00003	J. KALAGHER 15 JAN 77

DRAWING NO.	NO. OF SHTS.	PART NO.	DESCRIPTION	REVISIONS																									
				B	C	D	E	F																					
E-UA-5412530-0-0	3		MASTER BOARD	B	C	D	E	F																					
K-PL-5412530-0-DBP	3		MASTER BOARD	B	C	D	E	F																					
D-CS-5412530-0-1	1		MASTER BOARD	B	B	C	D	E																					
MD-5012529-0-0	4		DRILL & ETCH DRAWING	B	B	B	B	B																					
		5012529	ETCHED CIRCUIT BOARD	C	C	C	C	C																					
5412530-0-L			P.C. DESIGN DATA BASE	REF	-	-	-	-																					
5412530-0-PL			INSERTION P/L DATA BASE	REF	-	-	-	-																					

NOTES:

REVISIONS		B	C	D	E	F
DATE	CHG NO.	ORIG				
-						
10-77	00001	C				
11-77	00002	D				
2-78	00003	E				
4-78	00004	F				

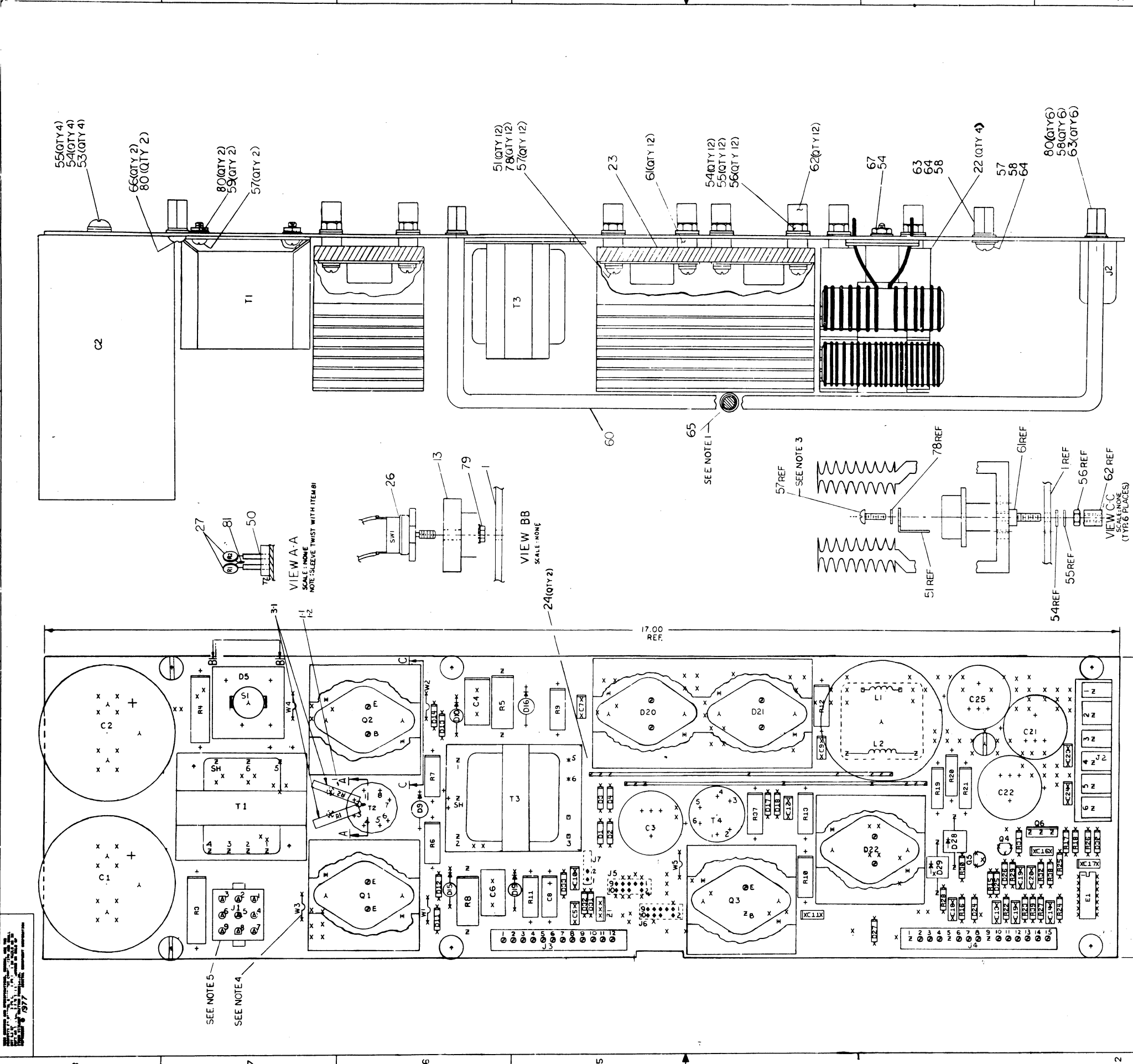
"THIS DRAWING AND SPECIFICATIONS, HEREIN, ARE THE PROPERTY OF DIGITAL EQUIPMENT CORPORATION AND SHALL NOT BE REPRODUCED OR COPIED OR USED IN WHOLE OR IN PART AS THE BASIS FOR THE MANUFACTURE OR SALE OF ITEMS WITHOUT WRITTEN PERMISSION.
 COPYRIGHT © 1977 DIGITAL EQUIPMENT CORPORATION



USED ON OPTION/MODEL
H786

DRN. R. KOPPENAL 8/10/77
CHK'D <i>[Signature]</i> 8/14/77
ENG <i>[Signature]</i> A.N 8/16/77
PROD. Roller Tom DB 8/16/77

TITLE	MASTER BOARD			
SIZE	CODE	NUMBER	REV.	
B	DD	5412530-0	F	
SHEET 1 OF 1				



NOTES:

1. TWO THICKNESS OF SPIRAL WRAP (ITEM #65) MUST BE WRAPPED AROUND THE TIE BAR OF THE P.C. BOARD SUPPORT (ITEM #60) BEFORE ATTACHING IT TO THE BOARD.
2. TORQUE REQUIREMENTS FOR ALL HARDWARE ARE SPECIFIED IN D.E.C. STANDARD 116 (WORKMANSHIP STANDARDS MANUAL) SECTION 2.0 TABLE 2.1; EXCEPT AS OTHERWISE NOTED.
3. TORQUE TO BE 6" TO 8" PER POUND (12 PLACES).
4. MAKE WI THRU W5 FROM 4" LONG LENGTH OF ITEM #77.
5. OBSERVE PROPER PIN ORIENTATION OF CONNECTOR WHEN MOUNTING ON BOARD.

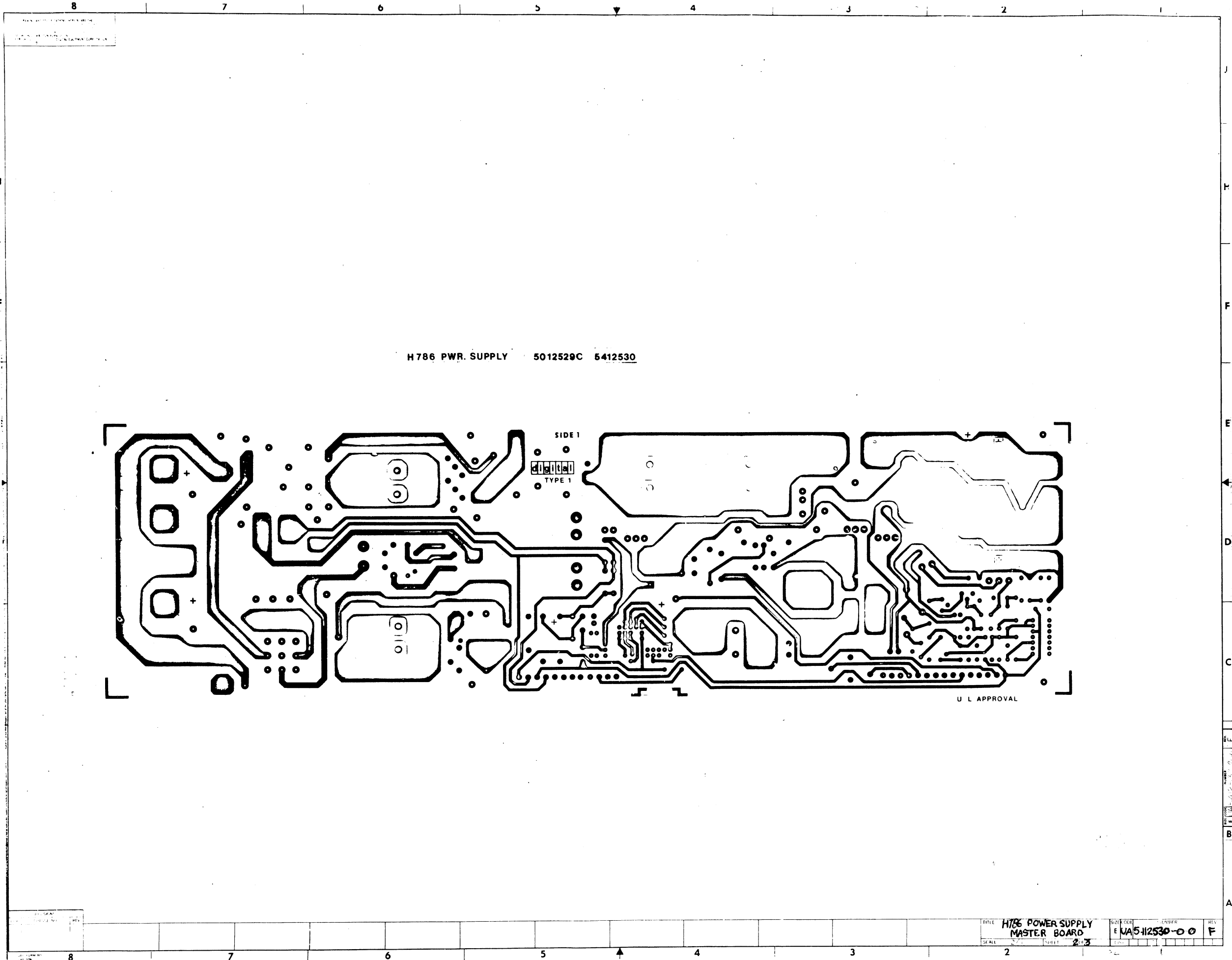
ECO #3
 COMPONENT ADD. SIDE 1:
 WITH R2(PIN:134270-02) IN SERIES
 SLEEVING (PIN: 91-071Z)

SIGNATURES		DATE	REV.
BY: [Signature]		11/27/77	1
ENGR: [Signature]		11/27/77	1
PROJ. LEAD: [Signature]		11/27/77	1
SCALE: 1/1		OF: 3	
SMT: 1		OF: 3	
NEXT NUMBER: 134270-02		DD-3412530-0	
FPGA DESIGN DATA BRD REV. C		H 79Z	

SIGNATURES		DATE	REV.
BY: [Signature]		11/27/77	1
ENGR: [Signature]		11/27/77	1
PROJ. LEAD: [Signature]		11/27/77	1
SCALE: 1/1		OF: 3	
SMT: 1		OF: 3	
NEXT NUMBER: 134270-02		DD-3412530-0	
FPGA DESIGN DATA BRD REV. C		H 79Z	

NOTES: THIS BOARD REQUIRES V.L.
 APPROVAL
 E1C 501-SIDE
 01 FROM R16 TO R30
 ECO #1 COMPONENT DELETE SIDE 1:
 COMPLETELY (SIDE 1)
 1-2 R2 (PIN: 134270-02)

1342530-0-0



H786 PWR. SUPPLY 5012529C 5412530

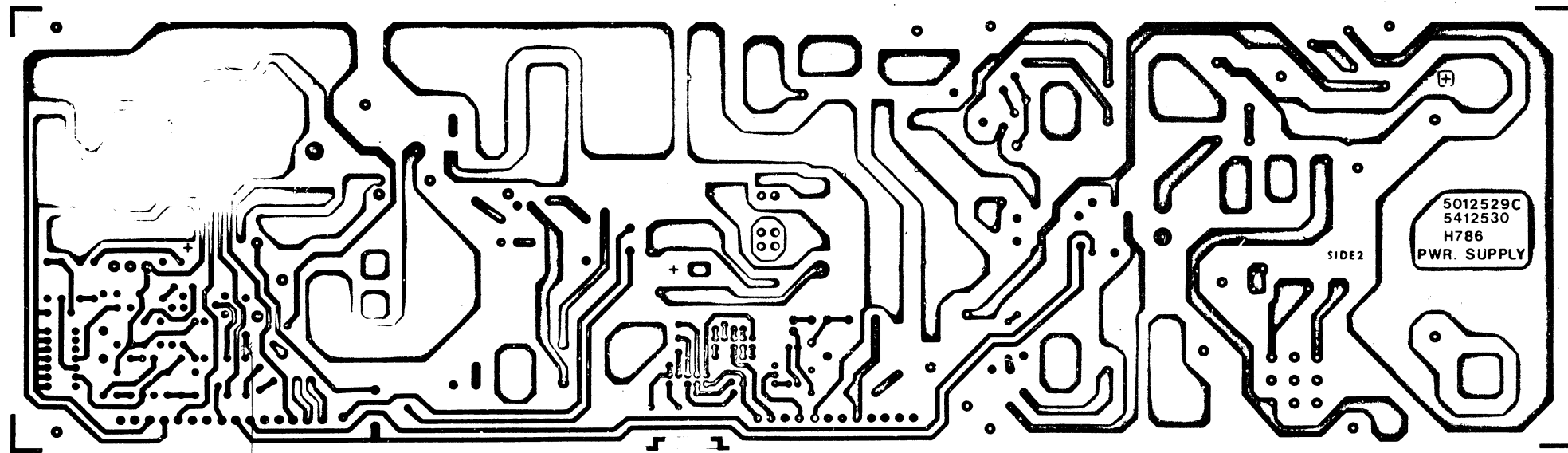
SIDE 1
digital
TYPE 1

U L APPROVAL

DATE: 10/10/71
BY: [Signature]

FILE	H786 POWER SUPPLY	SCALE	1/8"	SHEET	2/3	REV	F
	MASTER BOARD						

1. DRAWN AND CHECKED DRAWING ARE THE PROPERTY OF THE COMPANY. NO PART OR ANY PART THEREOF IS TO BE REPRODUCED, COPIED, OR TRANSMITTED IN ANY FORM OR BY ANY MEANS, ELECTRONIC OR MECHANICAL, INCLUDING PHOTOCOPYING, RECORDING, OR BY ANY INFORMATION STORAGE AND RETRIEVAL SYSTEM, WITHOUT THE WRITTEN PERMISSION OF THE COMPANY.



U/L APPROVAL

U-1

REV.	DATE	BY

H786 POWER SUPPLY
 MASTER BRD.
 EJA 5412530 -00 F
 3 3

LINE	ITEM	DOCUMENT NO.	PART NO.	DESCRIPTION	QTY	REFERENCE DESIGNATORS
1	1	D-MD-5012529-0-0	5012529-00	5412530	1	
2	2		1014240-00	2000 MFD 200V 6% AL EL	2	C1,C2
3	3		1014260-02	2100 MFD 40V AL EL	1	C3
4	4		1014139-00	.0022 MFD 600V 10% \$	2	C4,C6
5	5		1010274-00	.22 MFD 50V XZ 7C023 CER.	5	C5,C10,C17,C23,C24
6	6		1000042-00	1000.0 MMF 100V 5%200PPM DM15S (10-00	8	C7,C9,C11-C16
7	7		1004814-00	47 MFD 20V 10% 150D S.TA (10-00	1	C8
8	8		1000004-00	.02 MFD 100V 20% Z5U DISC	2	C18,C19
9	9		1001610-01	.01 MFD 100V OR 50V Z5U DISC/800PF MIN	1	C20
10	10		1014260-00	11,000 MFD 6.3V AL EL	2	C21,C25
11	11		1014260-01	3700 MFD 25V AL EL\$	1	C22
12	12		1105796-00	1N 4004 PIV=400 I= 1A D041 SP	14	D1-D4,D11-D14,D17,D25,D27, CONT D30-D32
13	13		1114245-00	NBS30600LPIV=600 I=30A	1	D5
14	14		1112594-02	A115M PIV=600 I= 3A \$	2	D9,D16
15	15		1112595-02	A114M PIV=600 I=11A	2	D10,D15
16	16		1105648-00	1N 4744 VZ= 15.0 10% 1W Y	1	D33
17	17		1212297-02	MATE-N-LOK 9PIN UNIV HEADER	1	J1
18	18		1213463-03	BLOCK,TERM 6POS	1	J2
19	19		1214257-00	EDGE CARD 12PIN STRAIGHT \$	1	J3
20	20		1214257-01	EDGE CARD 15PIN STRAIGHT \$	1	J4
21	21		1112595-01	A114B PIV=200 I= 1A	1	D19
22	22		1211987-01	HEAT SINK 19.8WATTS 1.75"LG	4	
23	23		1211987-02	HEAT SINK 19.8WATTS 3.50"LG	1	
24	24		1214256-00	BUS BAR,KRYPTON	2	
25	25		1912108-00	339 VOLT CMPRTR,QUAD	1	E1
26	26		1214259-02	THERMOSTAT,0@185,C@148	1	S1
27	27		1314270-02	2.5 15% THERMISTOR	2	R1,R2
28	28		1314088-00	20 K 5W 5% WW (13-00	2	R3,R4
29	29		1301952-00	1 K 2W 5% CC (13-00	2	R5,R8

REVISION HISTORY			VARIATIONS FOR THIS ASSY.			FIRST USED ON:		DIGITAL EQUIPMENT CORPORATION MAYNARD, MASSACHUSETTS		
CHK	ECO NO	REV				MADE BY:	DATE:	TITLE		
					00	R.KOPPENAL	01-FEB-78	PARTS LIST		
P.G	00003	E				K.GLEEZEN	01-FEB-78	MASTER BOARD		
KG	00004	F				J.GREGORICH	01-FEB-78			
						R.HAMILTON	01-FEB-78			
						J.GREGORICH	01-FEB-78			
								ASSY.NO.:	E-UA-5412530-0-0	7

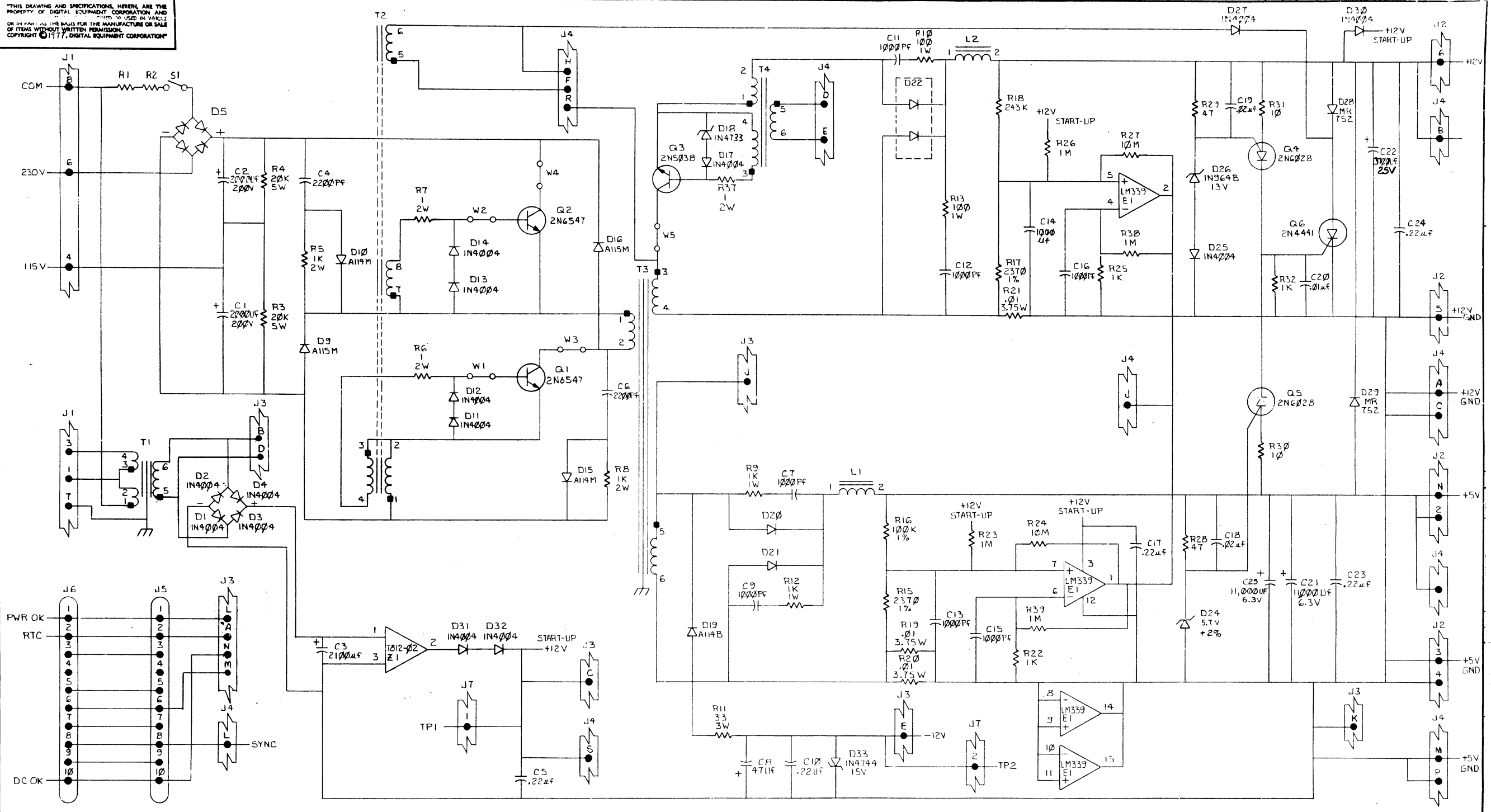
*THIS DRAWING AND SPECIFICATIONS HEREIN, ARE THE PROPERTY OF DIGITAL EQUIPMENT CORPORATION AND SHALL NOT BE REPRODUCED OR COPIED OR USED IN WHOLE OR IN PART AS THE BASIS FOR THE MANUFACTURE OR SALE OF ITEMS WITHOUT WRITTEN PERMISSION.
COPYRIGHT 1978. DIGITAL EQUIPMENT CORPORATION *

LINE	ITEM	DOCUMENT NO.	PART NO.	DESCRIPTION	QTY	REFERENCE DESIGNATORS
30	30		1305428-00	1.0 2W 5% WW (13-00	3	R6,R7,R37
31	31		1110488-00	1N 4733 VZ= 5.1 10% 1W N	1	D18
32	32		1301499-00	1 K 1W 10% CC (13-00	2	R9,R12
33	33		1300232-00	100 1W 5% CC (13-00	2	R10,R13
34	34		1314239-00	33 3W 5% WW (13-00	1	R11
35	35		1310632-00	2.37 K 1/4W 1% RN55D-F 100PPM (13-00	2	R15,R17
36	36		1303044-00	100 K 1/4W 1% RN55D-F 100PPM (13-00	1	R16
37	37		1304843-00	243 K 1/4W 1% RN55D-F 100PPM (13-00	1	R18
38	38		1313014-00	.01 3-3/4W 3% WW (13-00	3	R19-R21
39	39		1300365-00	1 K 1/4W 5% CC (13-00	3	R22,R25,R32
40	40		1309595-00	1 M 1/4W 5% CC (13-00	4	R23,R26,R38,R39
41	41		1302666-00	10 M 1/4W 5% CC (13-00	2	R24,R27
42	42		1300202-00	47 1/4W 5% CC (13-00	2	R28,R29
43	43		1301317-00	10 1/4W 5% CC (13-00	2	R30,R31
44	44		1614274-00	XFMR F=AB S=87V \$	1	T1
45	45		1614272-00	PULSE XFMR,4 WOUND	1	T2
46	46		1614275-00	XFMR F=200-375V S=5U03.5A	1	T3
47	47		1614273-00	PULSE XFMR,TRI-WOUND	1	T4
48	48		1614261-00	CHOKER,DUAL 24UH-80UH	2	L1,L2
49	49		1912048-02	DEC 7812-02 VOLT.REG.FIX T12V 1.5A T	1	Z1
50	50		9009798-00	SPACER, CERAMIC, .186 ODX.078 IDX.75 LG	2	
51	51		9009676-00	TERMINAL, SOLDER, FOR TERMINAL	12	
52	52		9009149-00	PIN, STAKING, P.C. BOARD, .025 X .025	20	J5-J7
53	53		9006071-01	SCREW,PAN,PHIL, 10-32X 3/8 SS/PAS	4	
54	54		9006660-00	WASHER, FLAT, .375 O.D. X .187 I.D. X .036	4	
55	55		9006636-00	WASHER, LOCK, INT, .3800ID X .200ID X .022 THK	17	
56	56		9006564-00	NUT, HEX, , 10-32X3/8 AF X 1/8 THK SS/	12	
57	57		9006021-01	SCREW,PAN,PHIL, 6-32X 5/16 SS/PAS	15	
58	58		9006633-00	WASHER, LOCK, INT, .2800ID X .146ID X .018 THK	8	
59	59		9008185-00	NUT, KEP, , 6-32X1/4 AF CS/	2	
60	60	D-IA-7013668-0-0	7013668-00	P.C. BOARD STIFFENER	1	
61	61	C-MD-7418435-0-0	7418435-00	HEAT SINK	12	
62	62		9009947-00	STANDOFF, NYLON, 10-32 X 1/4 \$	12	
63	63		9006844-00	SPACER, HEX, ALUM, 6-32, .250 X .375 LG	7	
64	64		9006653-00	WASHER, FLAT, .375 O.D. X .156 I.D. X .036	2	
65	65		9107240-00	WRAP,CABLE,.2500D VINYL (91-00 A/R		
66	66		9006020-01	SCREW,PAN,PHIL, 6-32X 1/4 SS/PAS	2	
67	67		9006565-00	NUT, KEP, , 10-32X 3/8 AF CS/	1	
68	68		1113496-01	UES602 FIV=100 I=30A T03	2	D20,D21
69	69		1114246-00	UES-2603 FIV=150 I=30A T03	1	D22
70	70		1111205-00	SCREENED VZ= 5.7 2% .40W	1	D24
71	71		1109988-00	1N 964B VZ= 13.0 5% .40W Y	1	D26
72	72		1110615-00	MR 752 FIV=200 I=22A A264 SM	2	D28,D29
73	73		1514195-00	2N 6547 PNP 400V SI 15A	2	Q1,Q2
74	74		1510969-00	2N 5038 NPN 140WC SI 90 50 Y	1	Q3
75	75		1510877-00	2N 6028 UJT 300MW R67B	2	Q4,Q5
76	76		1505867-00	2N 4441 SCR@ 50V & 8A	1	Q6
77	77		9107460-22	WIRE,STRND,20AWG,IPVC UL1429 (91-00 A/R		W1-W5

DIGITAL EQUIPMENT CORPORATION MAYNARD, MASSACHUSETTS	TITLE MASTER BOARD	PARTS LIST	SIZE K	CODE FL	DOCUMENT NUMBER 5412530-0-DBF	REV F
---	-----------------------	------------	-----------	------------	----------------------------------	----------

LINE ITEM	DOCUMENT NO.	PART NO.	DESCRIPTION	QTY	REFERENCE DESIGNATORS
78	78	9007801-00	WASHER, LOCK, S.S. #6	12	
79	79	9006563-00	NUT, KEP, 8-32 X11/32AF	CS 1	
80	80	9006656-00	WASHER, FLAT, .312 D.D. X .156 I.D. X .027	10	
81	81	9107772-00	TUBING, SHRINK, .187ID EXP, UL KYNAR	A/R	

THIS DRAWING AND SPECIFICATIONS, HEREIN, ARE THE PROPERTY OF DIGITAL EQUIPMENT CORPORATION AND ARE TO BE USED IN WHOLE OR IN PART AS THE BASIS FOR THE MANUFACTURE OR SALE OF ITEMS WITHOUT WRITTEN PERMISSION. COPYRIGHT © 1977, DIGITAL EQUIPMENT CORPORATION



REV.	CHANGE NO.	DATE	BY	CHKD.
1	5412530-00002	C	J. GREGORICH	
2	5412530-00003	D	J. GREGORICH	
3	5412530-00004	E	J. GREGORICH	
4	5412530-00005	F	J. GREGORICH	
5	5412530-00006	G	J. GREGORICH	
6	5412530-00007	H	J. GREGORICH	
7	5412530-00008	I	J. GREGORICH	
8	5412530-00009	J	J. GREGORICH	
9	5412530-00010	K	J. GREGORICH	
10	5412530-00011	L	J. GREGORICH	
11	5412530-00012	M	J. GREGORICH	
12	5412530-00013	N	J. GREGORICH	
13	5412530-00014	O	J. GREGORICH	
14	5412530-00015	P	J. GREGORICH	
15	5412530-00016	Q	J. GREGORICH	
16	5412530-00017	R	J. GREGORICH	
17	5412530-00018	S	J. GREGORICH	
18	5412530-00019	T	J. GREGORICH	
19	5412530-00020	U	J. GREGORICH	
20	5412530-00021	V	J. GREGORICH	
21	5412530-00022	W	J. GREGORICH	
22	5412530-00023	X	J. GREGORICH	
23	5412530-00024	Y	J. GREGORICH	
24	5412530-00025	Z	J. GREGORICH	

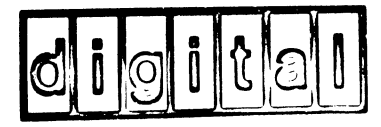
DRN. P. APPROVAL	3-4-77	FIRST USED ON	4786	DIGITAL
CHKD. BY	8/16/77	TITLE	MASTER BOARD	
ENG. BY	3-16-77	PROJECT	5412530-0-0-1	
PROJ. ENG.	8-11-77	PROD. BY	8/16/77	
NEXT HIGHER ASSY.		SIZE	CODE	NUMBER
E-UA-5412530-0-0		D	CS	5412530-0-1
SCALE	1:1	DIST.		
SHEET	1	OF	1	REV. E

DRAWING NO.	NO. OF SHTS.	PART NO.	DESCRIPTION	REVISIONS																			
B-MH-5412532-0-6	1		MODULE HISTORY	*	A	B	C																
D-UA-5412532-0-0	3		CONTROL BOARD	C	D	E	F																
K-PL-5412532-0-0	2		CONTROL BOARD	C	D	E	F																
D-CS-5412532-0-1	1		CONTROL BOARD	C	C	D	D																
D-MD-5012531-0-0	4		DRILL & ETCH DRAWING	C	C	C	D																
		5012531	ETCHED BOARD	D	D	D	D																
5412532-Ø-L			P.C. DESIGN DATA BASE	REF																			
5412532-Ø-PL			INSERTION P/L DATA BASE	REF																			

NOTES:

REVISIONS		DATE	CHG NO.	REV.																			
		10-77	00001	D																			
		11-77	00002	E																			
		2-78	00003	F																			

"THIS DRAWING AND SPECIFICATIONS, HEREIN, ARE THE PROPERTY OF DIGITAL EQUIPMENT CORPORATION AND SHALL NOT BE REPRODUCED OR COPIED OR USED IN WHOLE OR IN PART AS THE BASIS FOR THE MANUFACTURE OR SALE OF ITEMS WITHOUT WRITTEN PERMISSION.
 COPYRIGHT © 1977 DIGITAL EQUIPMENT CORPORATION



USED ON OPTION/MODEL H786	DRN. RTA BUREAU <i>[Signature]</i>	4-20-77 <i>[Signature]</i>	TITLE CONTROL BOARD
	ENG. <i>J. Snowbird</i>	0-1-77	SIZE CODE B DD
	PROD. <i>R. Hamilton</i>	0-1-77	NUMBER 5412532-0
			REV. F
			SHEET 1 OF 1

THIS DRAWING AND SPECIFICATIONS, HEREIN, AND THE PROPERTY OF SIRTH EQUIPMENT CORPORATION AND SHALL NOT BE REPRODUCED OR COPIED OR USED IN WHOLE OR IN PART OR IN ANY MANNER FOR THE MANUFACTURE OR SALE OF ANY PRODUCT WITHOUT THE WRITTEN PERMISSION OF SIRTH EQUIPMENT CORPORATION.

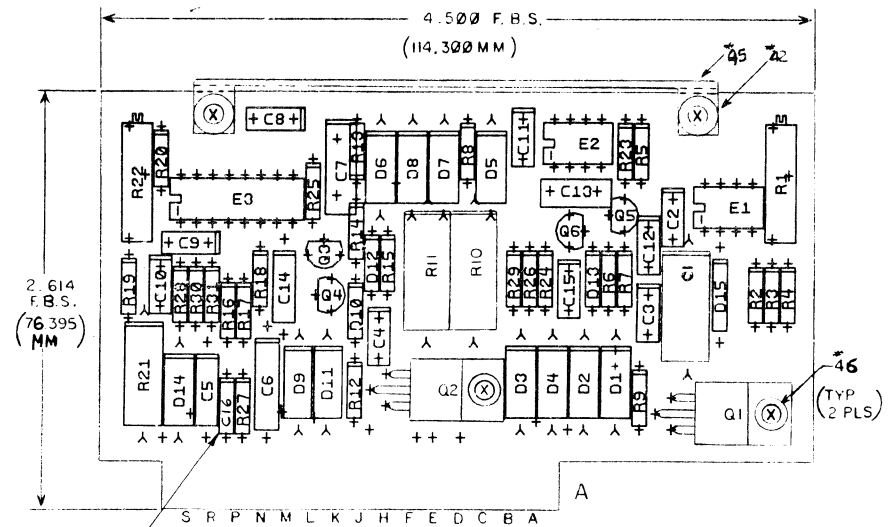
REV. 002 5412532-0-0 2 1

COMPONENT SIDE VIEW

REWORK INSTRUCTIONS

ETCH CUTS SIDE 1
 Ø-1. FROM AL1 TO F/T BETWEEN C6 & D9
 ETCH CUTS SIDE 2
 Ø-2. FROM AL2 TO F/T BETWEEN C6 & D9

ECO # 2
 COMPONENT DELETES SIDE 1:
 2-1. R32 (P/N 1301424)
 COMPONENT ADDS SIDE 1:
 2-2. C16 (P/N 1000016)



NOTES:
 1. THIS BOARD REQUIRES U/L APPROVAL
 2. THIS BOARD WILL NOT BE G.R. TESTED

CHG	NO	REV	DATE	BY	APP
1	1	D	10/27/77	J. GREGORICH	
2	2	E	11/17/77	J. GREGORICH	
3	3	F	11/17/77	J. GREGORICH	
4	4	F	11/17/77	J. GREGORICH	

ETCH REV.	D
P.C. DESIGN DATA BASE REV.	D

SIGNATURES	DATE	digital
ORN. Andy [Signature]	5-4-77	
CHK'D [Signature]	2-11-77	
ENG. [Signature]	8-1-77	TITLE
PROJ. ENG. [Signature]	8-1-77	H786 CONTROL BOARD
PROD. [Signature]	8-1-77	
SCALE 2/1	SIZE CODE 0 UA	NUMBER 5412532-0-0
SHT. 1 OF 3		REV F
NEXT HIGHER ASSY. B-00-5412532-0-0		

8

7

6

5



4

3

2 DIA 5412532 -0-0 F

1

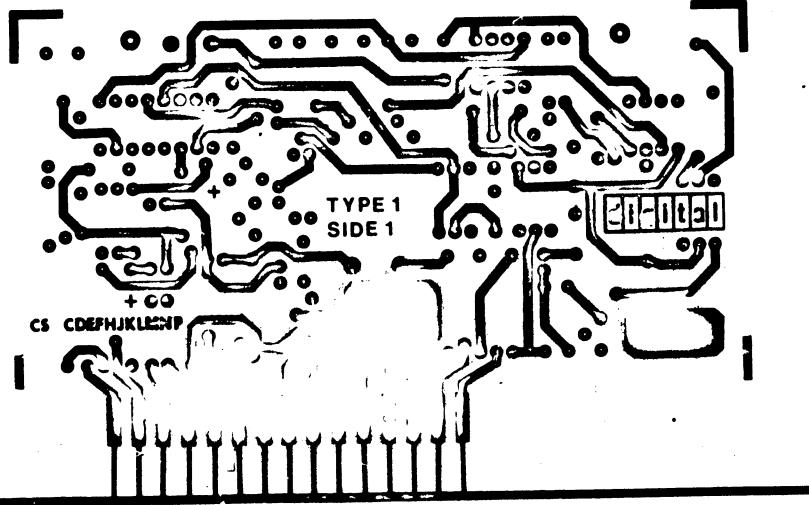
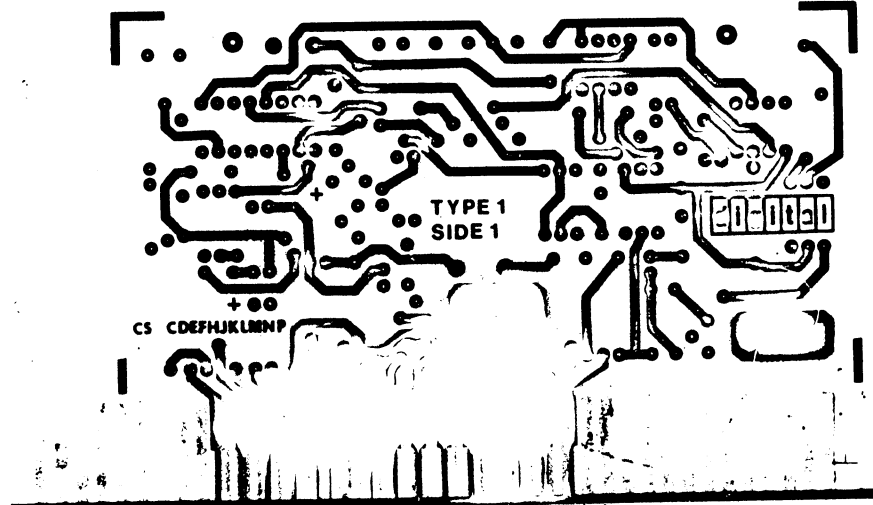
THIS DRAWING IS THE PROPERTY OF DIGITAL EQUIPMENT CORPORATION AND SHALL NOT BE REPRODUCED OR TRANSMITTED IN ANY FORM OR BY ANY MEANS, ELECTRONIC OR MECHANICAL, INCLUDING PHOTOCOPYING, RECORDING, OR BY ANY INFORMATION STORAGE AND RETRIEVAL SYSTEM, WITHOUT WRITTEN PERMISSION OF DIGITAL EQUIPMENT CORPORATION. © 1977



5412532 5012531D



5412532 5012531D



U/L APPROVED

U/L APPROVED

0-1 TYP

VIEWED FROM SIDE 1

REVISIONS		
CHK	CHANGE NO.	REV.

TITLE	SIZE CODE	NUMBER	REV.
H786 CONTROL BOARD	D	UA 5412532 -0-0	F
SCALE 2:1	SHEET 2 OF 3	DIST	

DEC FORM NO. DRD 137

8

7

6

5



4

3

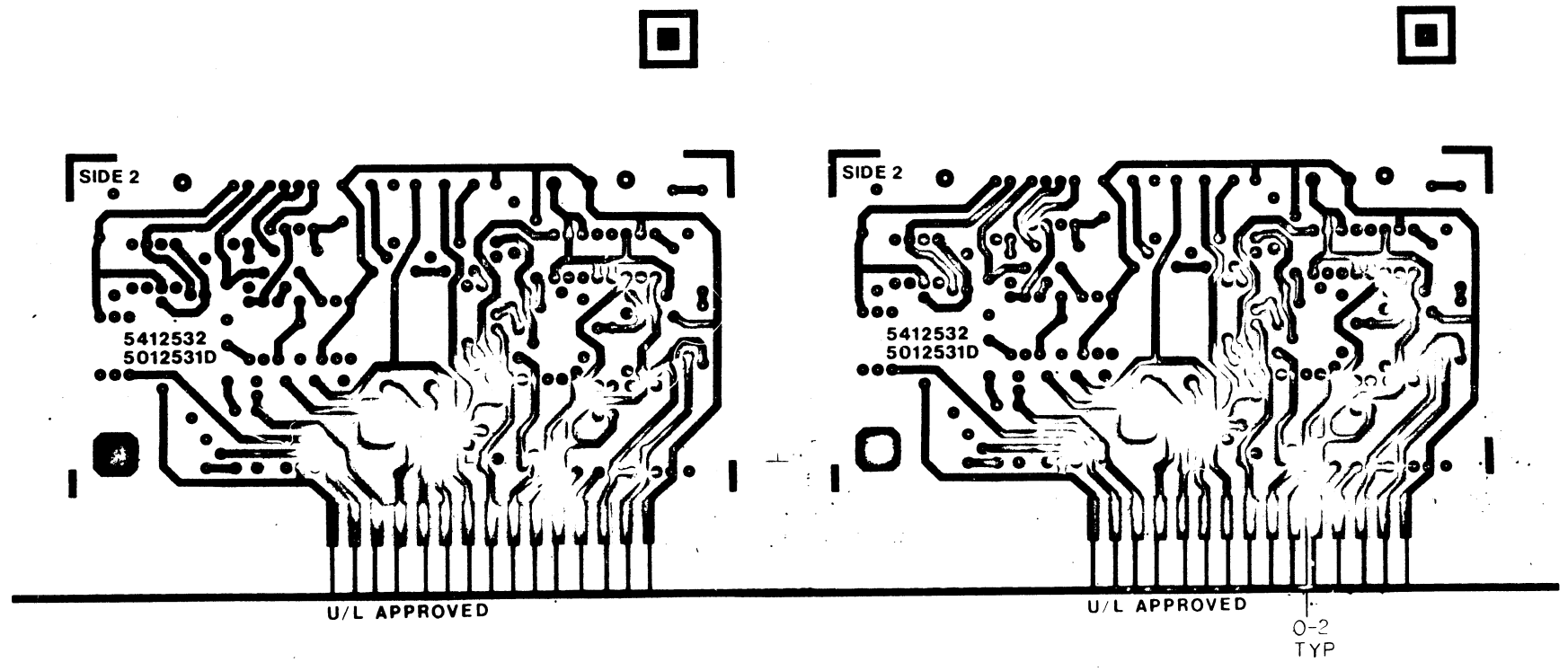
2

1

8 7 6 5 4 3 2 1

THIS DRAWING AND THE INFORMATION CONTAINED HEREIN ARE THE PROPERTY OF DIGITAL EQUIPMENT CORPORATION. IT IS TO BE USED FOR THE SYSTEMS WHICH IT WAS SPECIFICALLY DESIGNED FOR. NO PARTS OF THIS DRAWING OR INFORMATION CONTAINED HEREIN ARE TO BE REPRODUCED OR TRANSMITTED IN ANY FORM OR BY ANY MEANS, ELECTRONIC OR MECHANICAL, INCLUDING PHOTOCOPYING, RECORDING, OR BY ANY INFORMATION STORAGE AND RETRIEVAL SYSTEM, WITHOUT WRITTEN PERMISSION FROM DIGITAL EQUIPMENT CORPORATION.

DUA 5412532 -0-0 F



VIEWED FROM SIDE 2

CHK	REVISION	DATE

TITLE	H786 CONTROL BOARD	SHEET CODE	D UA 5412532	NUMBER	-0-0	REV	F
SCALE	2:1	SHEET	3	OF	3	DIST	

8 7 6 5 4 3 2 1

LINE	ITEM	DOCUMENT NO.	PART NO.	DESCRIPTION	QTY	REFERENCE DESIGNATORS
1	1	D-MU-5012531-0-0	5012531-00	5412532	1	
2	2		1000039-00	.056 MFD 200V 10% 663UW MYLR	(10-00)	1 C1
3	3		1000009-00	33.0 MMF 100V 5%200PPM DM15S	(10-00)	1 C2
4	4		1000055-00	2200. MMF 250V 20% YES DISC		2 C3,C4
5	5		1002627-00	2.2MFD 20V 10% 150D S.TA	(10-00)	1 C5
6	6		1005784-00	.01 MFD 100V 10% 663UW MYLR	(10-00)	1 C6
7	7		1010274-00	.22 MFD 50V X% 7C023 CER.		4 C8,C10-C12
8	8		1000042-00	1000.0 MMF 100V 5%200PPM DM15S	(10-00)	1 C13
9	9		1000016-00	100.0 MMF 100V 5%200PPM DM15S	(10-00)	3 C9,C15,C16
10	10		1005328-00	.33 MFD 20V 10% 150D S.TA	(10-00)	1 C14
11	11		1112595-00	A114F PIV= 50 I= 1A		4 D1-D3,D5
12	12		1112595-01	A114B PIV=200 I= 1A		7 D4,D6-D9,D11,D14
13	13		1100114-00	D 664 QS\75PCB PIV= 25V SP		3 D10,D12,D13
14	14		1109991-01	4M6.8AZ1 VZ= 6.8 1% .40W		1 D15
15	15		1309143-07	1 K 3/4W10% FOT 100PPM		2 R1,R22
16	16		1304868-00	2.74 K 1/4W 1% RN55D-F 100PPM	(13-00)	1 R2
17	17		1304833-00	1.96 K 1/4W 1% RN55D-F 100PPM	(13-00)	1 R3
18	18		1300488-00	12 K 1/4W 5% CC	(13-00)	1 R4
19	19		1303187-00	820 K1/4W 5% CC	(13-00)	1 R5
20	20		1300271-00	220 1/4W 5% CC	(13-00)	2 R6,R14
21	21		1301317-00	10 1/4W 5% CC	(13-00)	3 R7,R15,R25
22	22		1300417-00	2.2 K 1/4W 5% CC	(13-00)	1 R8
23	23		1300219-00	68 1/4W 5% CC	(13-00)	2 R9,R12
24	24		1300288-00	270 2W 10% CC	(13-00)	2 R10,R11
25	25		1300365-00	1 K 1/4W 5% CC	(13-00)	2 R13,R26
26	26		1309680-00	2.7 M 1/4W 5% CC	(13-00)	2 R16,R17
27	27		1314187-00	6.19 K 1/4W 1% RN55D-F 100PPM	(13-00)	1 R18
28	28		1309413-00	3.83 K 1/4W 1% RN55D-F 100PPM	(13-00)	2 R19,R20
29	29		1314239-00	33 3W 5% WW	(13-00)	1 R21
30	30		1300426-00	2.7 K 1/4W 5% CC	(13-00)	1 R23

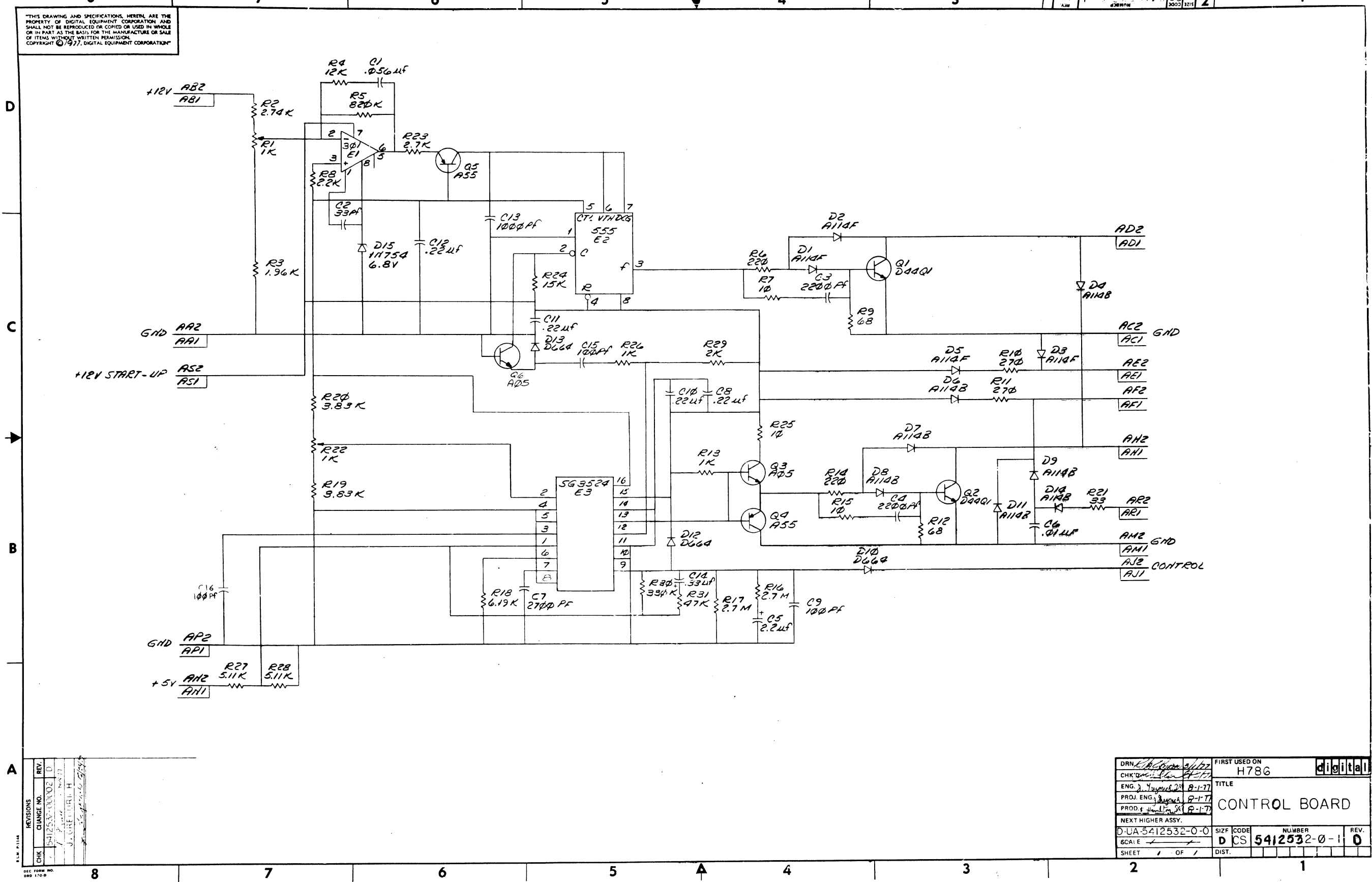
REVISION HISTORY			VARIATIONS FOR THIS ASSY.		FIRST USED ON:		DIGITAL EQUIPMENT CORPORATION MAYNARD, MASSACHUSETTS			
CHK	ECO NO	REV			MADE BY:	DATE:	TITLE			
			00		R.BUREAU	16-FEB-78	PARTS LIST			
P.G	00003	F			CHECKED: K.GLEASEN	16-FEB-78	CONTROL BOARD			
					DSN.ENG.: J. GREGORICH	16-FEB-78	SIZE	CODE	DOCUMENT NUMBER	REV
					PROD.: R.HAMILTON	16-FEB-78	K	PL	5412532-0-0	F
					RESP.ENG.: J.GREGORICH	16-FEB-78	ASSY.NO.: D-UA-5412532-0-0			EDIT#
										4

THIS DRAWING AND SPECIFICATIONS HEREIN, ARE THE PROPERTY OF DIGITAL EQUIPMENT CORPORATION AND SHALL NOT BE REPRODUCED OR COPIED OR USED IN WHOLE OR IN PART AS THE BASIS FOR THE MANUFACTURE OR SALE OF ITEMS WITHOUT WRITTEN PERMISSION. COPYRIGHT 1978. DIGITAL EQUIPMENT CORPORATION

LINE ITEM	DOCUMENT NO.	PART NO.	DESCRIPTION	QTY	REFERENCE DESIGNATORS
31	31	1300496-00	15 K 1/4W 5% CC (13-00	1	R24
32	32	1304854-00	5.11 K 1/4W 1% RN55D-F 100PPM (13-00	2	R27,R28
33	33	1302388-00	2 K 1/4W 5% CC (13-00	1	R29
34	34	1302091-00	330 K 1/4W 5% CC (13-00	1	R30
35	35	1302177-00	47 K 1/4W 5% CC (13-00	1	R31
36	36	1514271-00	D 44Q1 NPN 4WC SI125 20	2	Q1,Q2
37	37	1510705-00	XA 05 NPN 500MW SI 60 50 P	2	Q3,Q6
38	38	1510706-00	XA 55 PNP 500MW SI 60 50 P	2	Q4,Q5
39	39	1910282-00	301AN OP AMP	1	E1
40	40	1911944-00	555CN TIMER,FUNCT.BLOCK	1	E2
41	41	1914250-00	3524 MODULATOR-REGULATING PULSE WID	1	E3
42	42	9009000-00	EYELET, ROLLED FLANGE, .121 OD X .156 LG	2	
43	43	1014170-00	2700.0 MMF 100V 1% 70PPM (10-00	1	C7
44	44	7418695-00	BAR, MODULE LOCKING	1	
45	45	9006732-00	EYELET, ROLLED FLANGE, .121 OD X .219 LG	2	

DIGITAL EQUIPMENT CORPORATION MAYNARD, MASSACHUSETTS	TITLE	PARTS LIST	SIZE	CODE	DOCUMENT NUMBER	REV
	CONTROL BOARD		K	PL	5412532-0-0	F

"THIS DRAWING AND SPECIFICATIONS, HEREIN, ARE THE PROPERTY OF DIGITAL EQUIPMENT CORPORATION AND SHALL NOT BE REPRODUCED OR COPIED OR USED IN WHOLE OR IN PART AS THE BASIS FOR THE MANUFACTURE OR SALE OF ITEMS WITHOUT WRITTEN PERMISSION. COPYRIGHT © 1977, DIGITAL EQUIPMENT CORPORATION"



REV	1	0
CHANGE NO.	002	D
CHK	J. G. F. H.	
DESIGNER	J. G. F. H.	
DATE	8-1-77	

DRN	J. G. F. H.	8-1-77	FIRST USED ON	H786	digital
CHK'D	J. G. F. H.	8-1-77	TITLE	CONTROL BOARD	
ENG.	J. G. F. H.	8-1-77	PROJ. ENG.	J. G. F. H.	8-1-77
PROD.	J. G. F. H.	8-1-77	NEXT HIGHER ASSY.		
D-LA-5412532-0-0			SIZE	CODE	NUMBER
SCALE			D	CS	5412532-0-1
SHEET 1 OF 1			DIST.		REV. 0

DRAWING NO.	NO. OF SHTS.	PART NO.	DESCRIPTION	REVISIONS																									
				1	2	3	4	5	6	7	8	9	10	11	12	13	14	15	16	17	18	19	20	21	22	23	24		
B-MH-5412528-0-6	1		POWER MONITOR BOARD	*	A																								
D-UA-5412528-0-0	3		POWER MONITOR BOARD	A	B																								
B-PL-5412528-0-0	2		POWER MONITOR BOARD	A	B																								
D-CS-5412528-0-1	1		POWER MONITOR BOARD	A	B																								
D-MD-5012527-0-1	4		DRILL & ETCH DRAWING	A	A																								
		5012527	ETCHED BOARD	B	B																								
5412528-0-L			P.C. DESIGN DATA BASE	KHF																									
5412528-0-PL			INSERTION P/L DATA BASE	KHF																									

NOTES:

REVISIONS	CHG NO.	REV.	B
	DATE		10-77(00001)

"THIS DRAWING AND SPECIFICATIONS, HEREIN, ARE THE PROPERTY OF DIGITAL EQUIPMENT CORPORATION AND SHALL NOT BE REPRODUCED OR COPIED OR USED IN WHOLE OR IN PART AS THE BASIS FOR THE MANUFACTURE OR SALE OF ITEMS WITHOUT WRITTEN PERMISSION.

COPYRIGHT © 1977 DIGITAL EQUIPMENT CORPORATION



USED ON OPTION/MODEL	DRN R. KOPPENAL	4-7-77
H700	CHK'D	8-5-77
	ENG. J. Gregoire	8-1-77
	PROD. R. Hamilton	8-1-77

TITLE		POWER MONITOR BOARD	
SIZE	CODE	NUMBER	REV.
B	DD	5412528-0	B
SHEET 1 OF 1			

COMPONENT SIDE VIEW

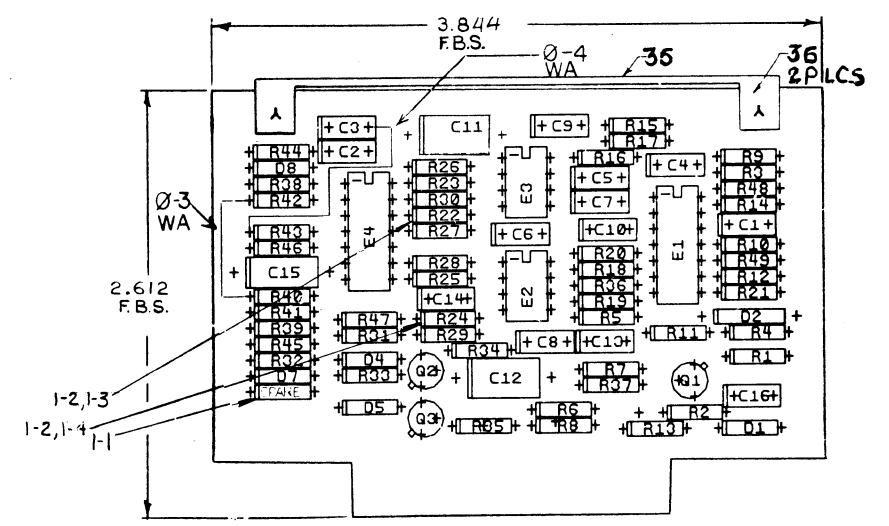
THIS DRAWING AND SPECIFICATIONS, GENERAL AND THE PROPERTY OF DIGITAL EQUIPMENT CORPORATION AND SHALL NOT BE REPRODUCED OR TRANSMITTED IN ANY FORM OR BY ANY MEANS, ELECTRONIC OR MECHANICAL, INCLUDING PHOTOCOPYING, RECORDING, OR BY ANY INFORMATION STORAGE AND RETRIEVAL SYSTEMS WITHOUT THE WRITTEN PERMISSION OF DIGITAL EQUIPMENT CORPORATION
REVISED 11/77

ETCH CUT SIDE 1
Ø-1 AT R43

ETCH CUT SIDE 2
Ø-2 AT R42

WIRE ADD SIDE 1
Ø-3 FROM R40 TO R42
Ø-4 FROM R43 TO C3

ECO #1
COMPONENT DELETE SIDE 1:
1-1 D6 (P/N: 1100114)
1-2 R22, R24 (P/N: 1300479)
COMPONENT ADD SIDE 1:
1-3 R22 (P/N: 1303311-00)
1-4 R24 (P/N: 1302685-00)



NOTES:

CHKCHANGE NO	REV	DATE	BY	REASON
5412528-0001	B	11-11-77	J. GREGORICH	

ETCH REV. B
P.C. DESIGN DATA BASE REV. B

SIGNATURES	DATE	TITLE
DRN. G. D. Ouellette	11-11-77	digital
CHK'D. G. D. Ouellette	11-11-77	
ENG. J. M. ...	8-1-77	
PROJ. ENG. J. ...	8-1-77	
PROD. P. ...	8-1-77	

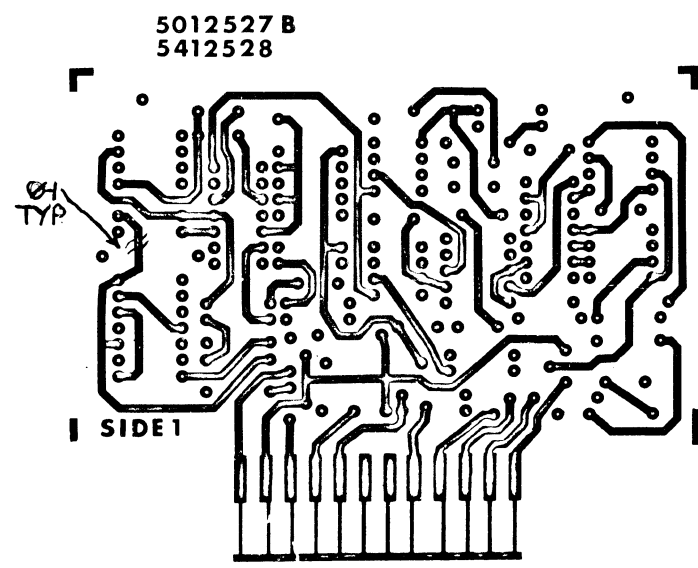
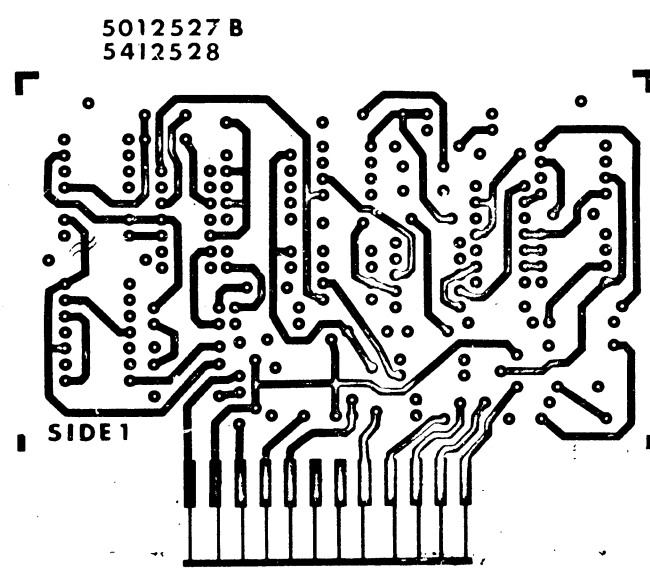
SCALE 2/1	SIZE CODE	NUMBER	REV
SHY. 1 OF 3	D	UAI 5412528-00	B
NEXT MEMBER ASSY. B-DD-5412528-0			

8 7 6 5 4 3 2 1

THE DRAWING AND INFORMATION CONTAINED HEREIN ARE UNCLASSIFIED EXCEPT WHERE SHOWN OTHERWISE AND SHALL NOT BE REPRODUCED OR COPIED OR INFORMATION DERIVED THEREFROM FOR THE BAY'S FOR THE MANUFACTURE OF ITEMS WITHOUT WRITTEN PERMISSION FROM THE EQUIPMENT OPERATOR.

D
C
B
A

D
C
B
A



H824012m

VIEWED FROM SIDE 2

REV	DATE	DESCRIPTION

8 7 6 5 4 3 2 1

H786 POWER MONITOR		D UA 5412528 - 0-φ B
REV	DATE	DESCRIPTION
2	3	

8

7

6

5

4

3

E

D 2

1

D

D

C

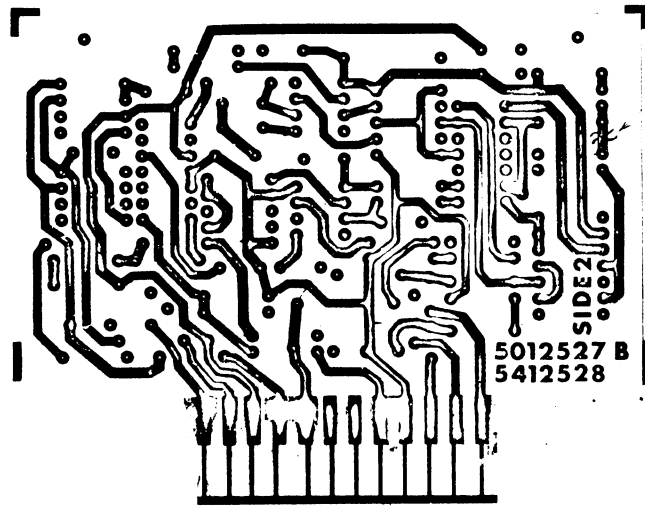
C

B

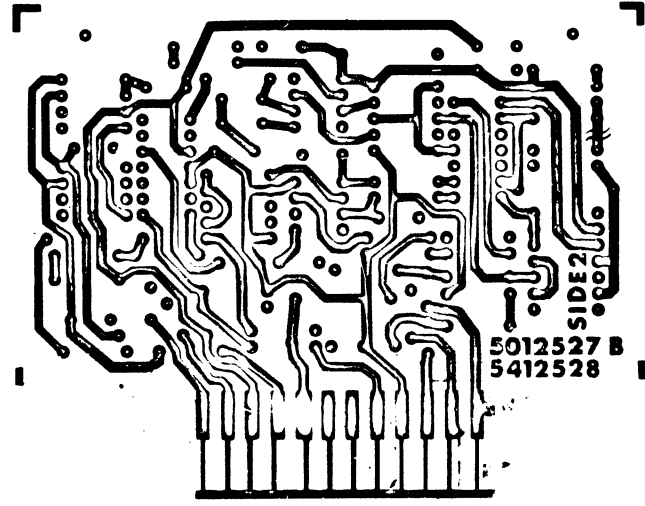
B

A

A



Ø.2 TYP



M5104384

VIEWED FROM SIDE 2

REV	DATE	BY	CHKD

TITLE: H786 POWER MONITOR
 DUA 5412528-0-0 B
 SCALE: 2:1 SHEET: 3 OF 3

8

7

6

5

4

3

2

1

DIGITAL EQUIPMENT CORPORATION PARTS LIST

MADE BY R. KOPPENAL	CHECKED <i>[Signature]</i>	SECTION 1	5412528-0-0	QUANTITY / VARIATION								NOTES:
DATE 7 APR 77	DATE 8/3/77											
ENG Jim Gregory DBB	PROD Ralph Hamilton DBB	ISSUED SECTION 1										
DATE 8-1-77	DATE 8-1-77											

ITEM NO.	DRAWING NO.	PART NO.	DESCRIPTION	QTY	UNIT	VAR	VAR	VAR	VAR	VAR	VAR	VAR	VAR	VAR	REF DESIGNATION
1	D-MD-5012527-0-0	5012527	ETCHED CIRCUIT BOARD	1											
2		1010274	CAP., .22 UF, +80% -20% CER.	8											C1, C2, C3, C4, C9, C10, C13, C16
3		1000016	CAP., 100 PF, 100V MICA	1											C14
4		1001610-00	CAP., .01 UF, 50V CER	2											C7, C8
5		1010031-03	CAP., .22 UF, +10% POLYCARB	2											C11, C12
6		1005116	CAP., .0033 UF, 200V MYLAR	1											C15
7		1100125	DIODE, 1N758A, 10V	1											D1
8		1105873	DIODE, 4M5.1, 5.1V	1											D2
9		1100114	DIODE, D664	4											D4, D5, D7, D8
10		1301322	RES., 180, 1/4W, 5% C.C.	1											R1
11		1301808	RES., 22K, 1/4W, 5% C.C.	4											R2, R3, R9, R13
12		1300247	RES., 120, 1/4W, 5% C.C.	1											R4
13		1303364	RES., 51.1K, 1/4W, 1% M.F.	1											R5
14		1311320	RES., 90.9K, 1/4W, 1% M.F.	1											R6
15		1309289	RES., 63.4K 1/4W, 1% M.F.	1											R7
16		1300479	RES., 10K, 1/4W, 5% C.C.	10											R10, R17, R20, R38, R42, R49, R35, R32, R33, R34,
17		1305421	RES., 35.7K, 1/4W, 1% M.F.	2											R11, R12
18		1300539	RES., 120K, 1/4W, 5% C.C.	1											R14
19		1305130	RES., 133K, 1/4W, 1% M.F.	1											R8
20		1309595	RES., 1M, 1/4W, 5% C.C.	6											R15, R18, R30, R37, R36, R44

E.C.O. NO.	00001														
------------	-------	--	--	--	--	--	--	--	--	--	--	--	--	--	--

"THIS DRAWING AND SPECIFICATIONS, HEREIN, ARE THE PROPERTY OF DIGITAL EQUIPMENT CORPORATION AND SHALL NOT BE REPRODUCED OR COPIED OR USED IN WHOLE OR IN PART AS THE BASIS FOR THE MANUFACTURE OR SALE OF ITEMS WITHOUT WRITTEN PERMISSION. COPYRIGHT © 1977 DIGITAL EQUIPMENT CORPORATION"	TITLE POWER MONITOR BOARD	ASSY NO. E-UA-5412528-0-0	SIZE B	CODE PL	NUMBER 5412528-0-0	REV. B
		SHEET 1 OF 2	INSERTION PARTS LIST DATA BASE REV B			

DIGITAL EQUIPMENT CORPORATION PARTS LIST

MADE BY DATE	R. KOPPENAL 4-7-77	CHECKED DATE	<i>[Signature]</i> 8/1/77	SECTION 1
ENG DATE	<i>Jim Grayson D88</i> 8-1-77	PROD DATE	<i>R. Hamilton D88</i> 8-1-77	ISSUED SECTION 1

QUANTITY / VARIATION

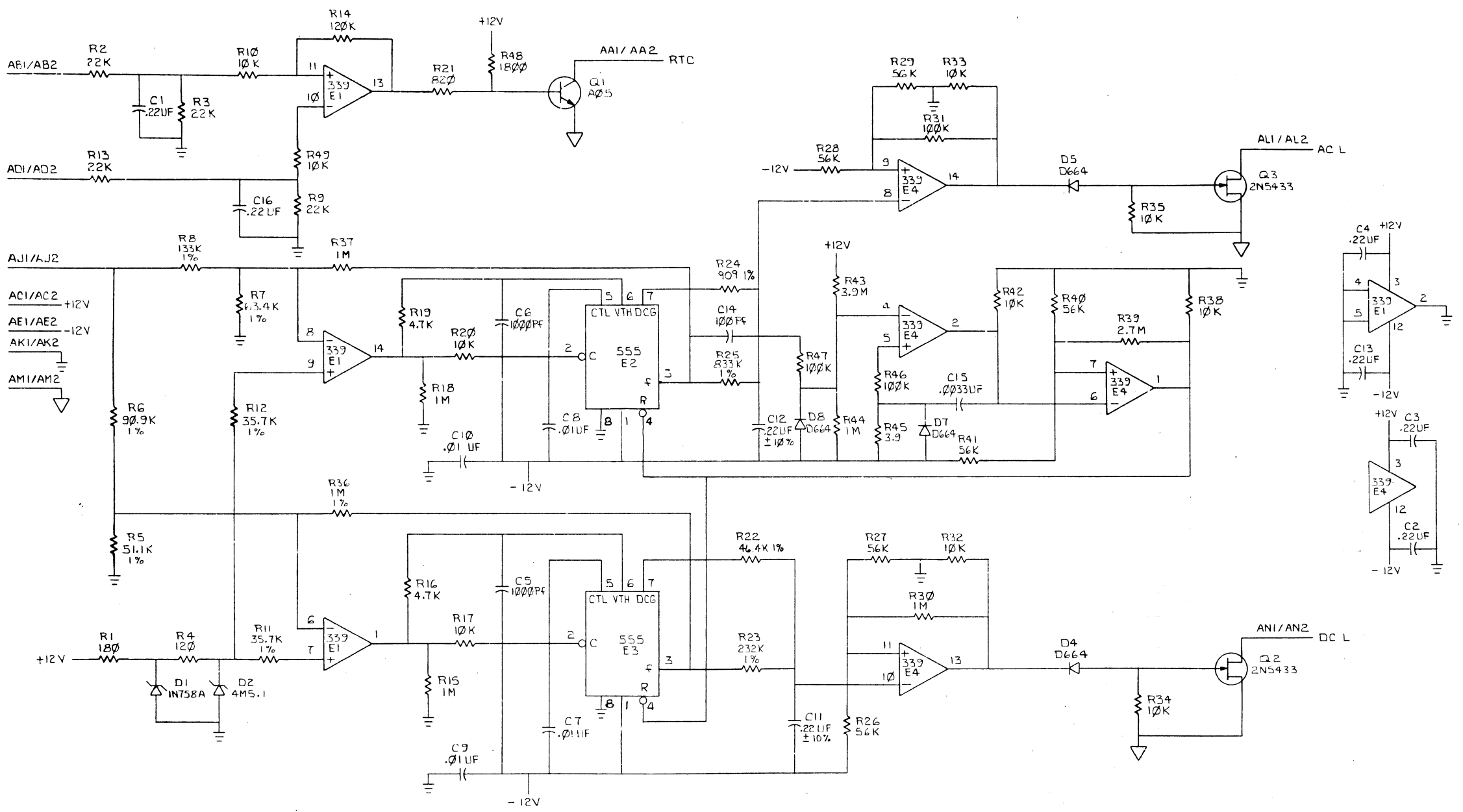
NOTES:

ITEM NO.	DRAWING NO.	PART NO.	DESCRIPTION	5412528-0-0	REF DESIGNATION
21		1300447	RES., 4.7K, 1/4W, 5% C.C.	2	R16, R19
22		1301775	RES., 820, 1/4W, 5% C.C.	1	R21
23		1313167	RES., 833K, 1/4W, 1% M.F.	1	R25
24		1302395	RES., 56K, 1/4W, 5% C.C.	6	R26, R27, R28, R29, R40, R41
25		1309680	RES., 2.7M, 1/4W, 5% C.C.	1	R39
26		1302466	RES., 100K, 1/4W, 5% C.C.	3	R31, R46, R47
27		1300398	RES., 1.8K 1/4W, 5% C.C.	1	R48
28		1510705	TRANS., A05	1	Q1
29		1511686	TRANS., 2N5433	2	Q2, Q3
30		1912108	I.C., LM339	2	E1, E4
31		1911944	I.C., 555	2	E2, E3
32		1305424	RES, 232K, 1/4W, 1% C.C.	1	R23
33		1314387	RES, 3.9M, 1/4W, 5% C.C.	2	R43, R45
34		1000042	CAP, 1000PF, 100V, 5% MICA	2	C5, C6
35		7418695	BAR MODULE LOCKING	1	
36		9009000	EYELETS	2	
37		9105740-55	WIRE, 30 AWG. KYNAR (GRN)	A/R	
38		1303311-00	RES, 46.4K 1/4W 1% MF	1	R22
39		1302685-00	RES, 909 1/4W 1% MF	1	R24

<p>E.C.O. NO.</p> <p>"THIS DRAWING AND SPECIFICATIONS, HEREIN, ARE THE PROPERTY OF DIGITAL EQUIPMENT CORPORATION AND SHALL NOT BE REPRODUCED OR COPIED OR USED IN WHOLE OR IN PART AS THE BASIS FOR THE MANUFACTURE OR SALE OF ITEMS WITHOUT WRITTEN PERMISSION. COPYRIGHT © 1977 DIGITAL EQUIPMENT CORPORATION"</p>	<p>TITLE</p> <p style="text-align: center;">POWER MONITOR BOARD</p>	<p>ASSY NO.</p> <p style="text-align: center;">D-UA-5412528-0-0</p>	<p>SIZE</p> <p style="text-align: center;">B</p>	<p>CODE</p> <p style="text-align: center;">PL</p>	<p>NUMBER</p> <p style="text-align: center;">5412528-0-0</p>	<p>REV.</p> <p style="text-align: center;">B</p>
		SHEET 2 OF 2	INSERTION PARTS LIST DATA BASE REV B			

"THIS DRAWING AND SPECIFICATIONS, HEREIN, ARE THE PROPERTY OF DIGITAL EQUIPMENT CORPORATION AND SHALL NOT BE REPRODUCED OR COPIED OR USED IN WHOLE OR IN PART AS THE BASIS FOR THE MANUFACTURE OR SALE OF ITEMS WITHOUT WRITTEN PERMISSION. COPYRIGHT © 1977, DIGITAL EQUIPMENT CORPORATION"

5412528-0-1
REV. B
DATE 11/25/77

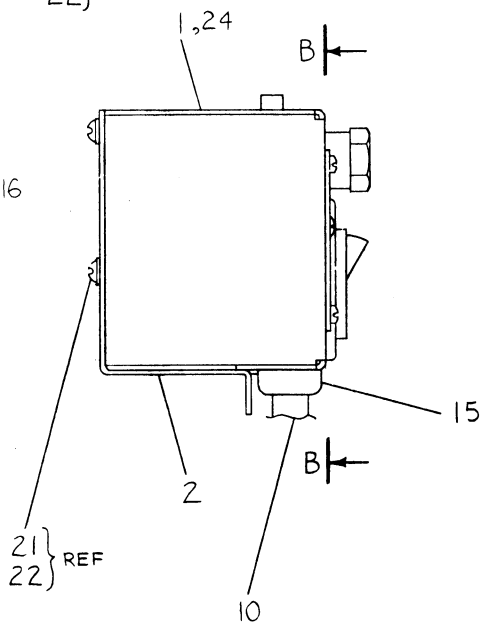
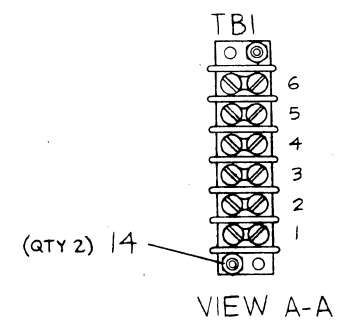
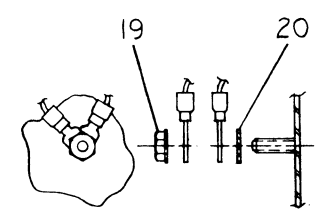
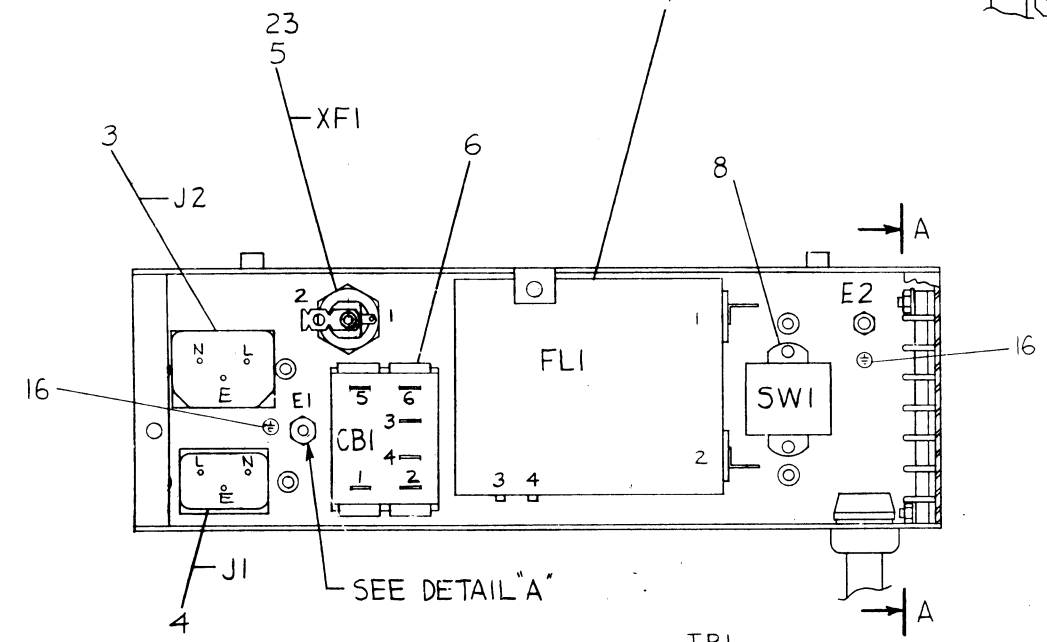
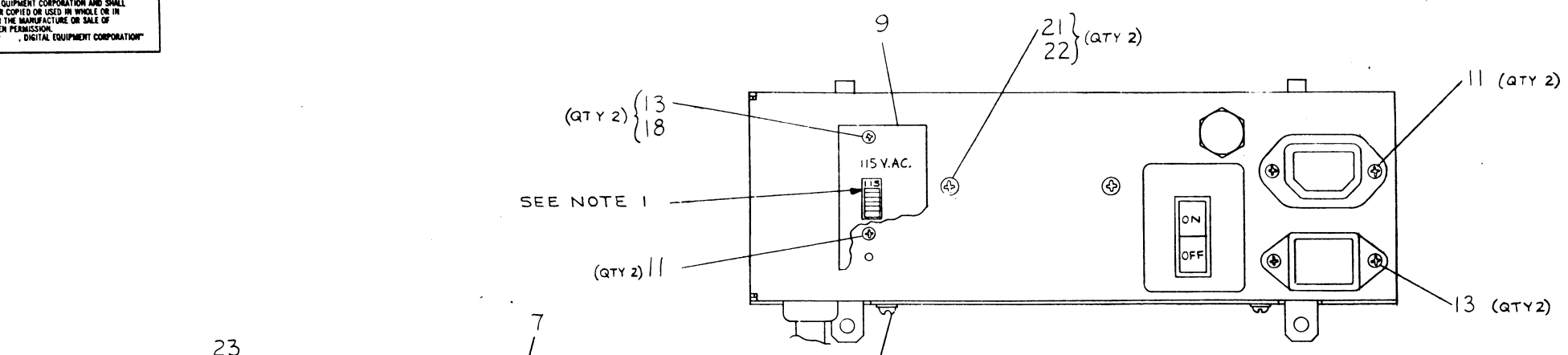


REV. B	DATE 11/25/77
CHANGE NO. 0001	BY B
5412528-0001	
DESIGNED BY J. W. BUCH	
CHECKED BY J. W. BUCH	
APPROVED BY J. W. BUCH	

DRN. J. W. BUCH	4-6-77	FIRST USED ON	H786	digital
CHK. J. W. BUCH	11/25/77	TITLE	POWER MONITOR BOARD	
ENG. J. W. BUCH	8-1-77	PROJ. ENG. J. W. BUCH	8-1-77	
PROD. ENG. J. W. BUCH	2-1-77	NEXT HIGHER ASSY.		
D-UA-5412528-0-0	SIZE CODE	NUMBER	REV.	
SCALE	DCS	5412528-0-1	B	
SHEET 1 OF 1	DIST.			

"THIS DRAWING AND SPECIFICATIONS, HEREIN, ARE THE PROPERTY OF DIGITAL EQUIPMENT CORPORATION AND SHALL NOT BE REPRODUCED OR COPIED OR USED IN WHOLE OR IN PART AS THE BASIS FOR THE MANUFACTURE OR SALE OF ITEMS WITHOUT WRITTEN PERMISSION. COPYRIGHT © 1977 DIGITAL EQUIPMENT CORPORATION"

NOTES:
1. MOUNT SWITCH AS SHOWN SO THAT WITH SWITCH LEVER DOWN 115V IS INDICATED ON TOP.



ITEM NO.	DESCRIPTION	DWG./PART NO.	ITEM NO.
1	LABEL, PRESSURE SENSITIVE	9008473	24
1	FUSE, 10 AMP FAST BLOW	9008390	23
7	WASHER, INT. TOOTH LOCK #6	9006633	22
7	SCR., PHL HD. TRUSS #6-32 X 5/16	9006021-03	21
2	WASHER, EXT. TOOTH LOCK #8	9008072	20
2	NUT, KEP #8-32	9006563	19
2	WASHER, INT TOOTH LOCK #4	9006632	18
2	PIGGYBACK QUICK CONN. TERM.	9007925-03	17
2	DECALS, GROUND SYM.	3612680-01	16
1	STRAIN RELIEF	9008509	15
2	NUT, KEP #4-40	9006557	14
4	SCR., PHL HD. PAN #4-40 X .38	9006011-01	13
4	WIRE, #18 STRD (BRN)	9107786-11	12
4	SCR., FLT C'SK HD #4-40 X .25	9006009-02	11
1	A/C BOX MAIN CABLE (MNCBA)	E-1A-7015431-0-0	10
1	PLATE, VOLTAGE SELECT	C-1A-7418378-0-0	9
1	VOLTAGE SWITCH ASSY	C-1A-7015432-0-0	8
1	FILTER, LINE INTERFERENCE	1214189	7
1	CIRCUIT BREAKER, MAGNETIC	1214184	6
1	FUSEHOLDER, RECEPTACLE	1212893	5
1	CONN., PWR RECP (MALE)	C-1A-7015522-0-0	4
1	CONN., PWR RECP (FEMALE)	C-1A-7015521-0-0	3
1	COVER, A/C BOX	D-MD-7419884-0-0	2
1	BOX, A/C INPUT	D-1A-7419882-0-0	1

REV.	CHANGE NO.	REV.
A	1	1
B	1	1
C	1	1
D	1	1

THIRD ANGLE PROJECTION

REMOVE BURRS AND BREAK SHARP CORNERS

DO NOT SCALE DWG

MATERIAL SEE PARTS LIST

FINISH

UNLESS OTHERWISE SPECIFIED DIMENSIONS ARE IN INCHES

ANGLES	CLASS OF ACCURACY	NOMINAL DIMENSION RANGE INCHES				
10° 30'		OVER 0 TO 1.25	OVER 1.25 TO 3.125	OVER 3.125 TO 6.25	OVER 6.25 TO 12.5	OVER 12.5 TO 40.0
SURFACE QUALITY	IN (CHECK ONE)	±.004	±.008	±.012	±.018	±.024
MICROMETERS	PREFERRED	±.012	±.018	±.025	±.04	±.06

QUANTITY & VARIATION

DRN: *Bar-Pellegrin* NOV 77

CHK'D: *Bar-Pellegrin* NOV 77

ENG: *Bar-Pellegrin* NOV 77

PROJ. ENG: *Bar-Pellegrin* NOV 77

PROD. *Bar-Pellegrin* NOV 77

NEXT HIGHER ASSY.

E-UA-MNCBA-0-0

SIZE CODE D AD

NUMBER 7014991-0-0

REV. A

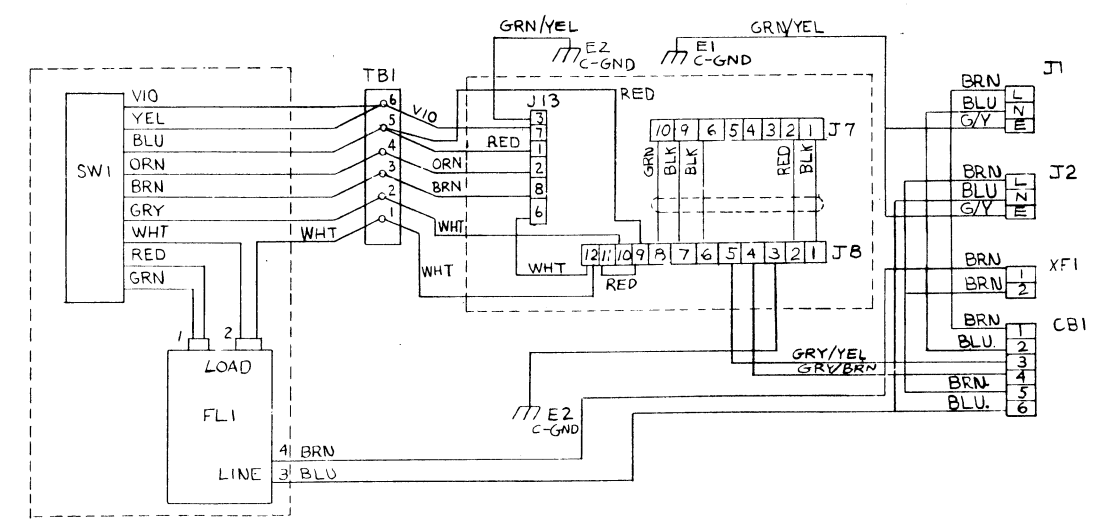
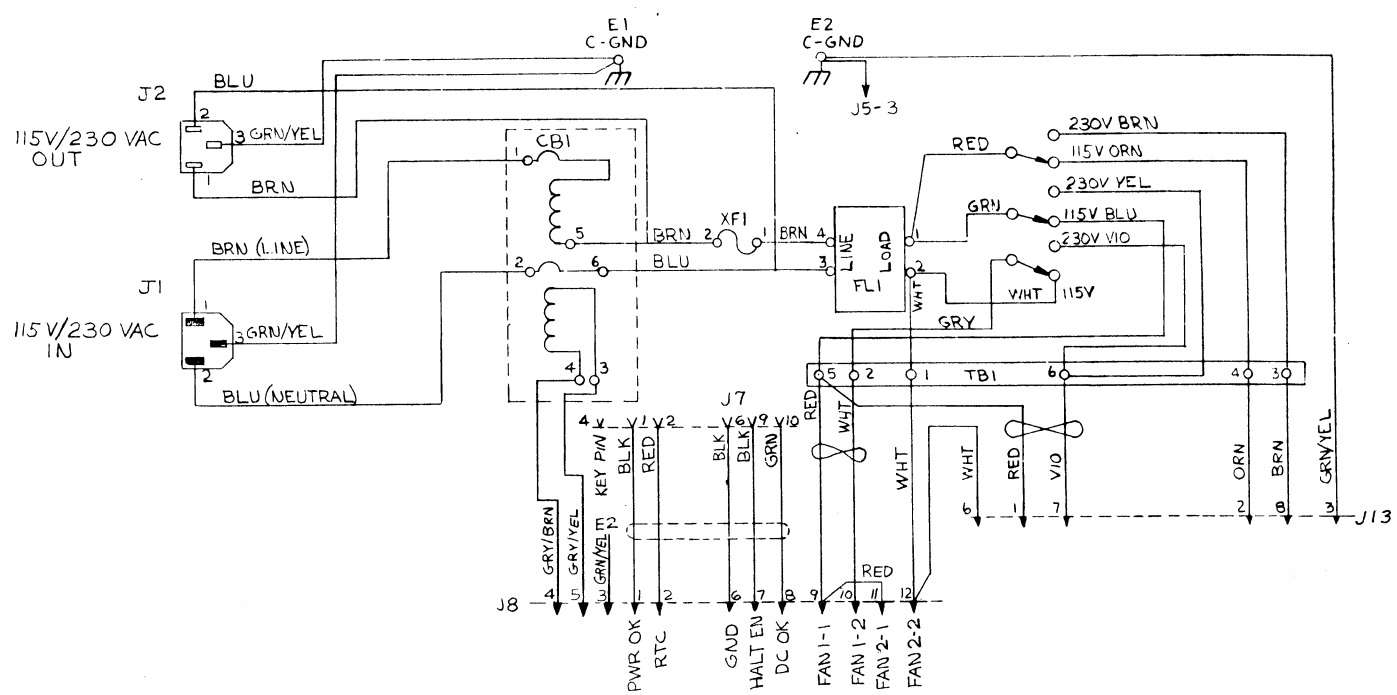
MR 1

7014991-0-0

"THIS DRAWING AND SPECIFICATIONS, HEREIN, ARE THE PROPERTY OF DIGITAL EQUIPMENT CORPORATION AND SHALL NOT BE REPRODUCED OR COPIED OR USED IN WHOLE OR IN PART AS THE BASIS FOR THE MANUFACTURE OR SALE OF ITEMS WITHOUT WRITTEN PERMISSION. COPYRIGHT © 1977 DIGITAL EQUIPMENT CORPORATION"

WIRE TABLE

ITEM NO	DESCRIPTION		FROM		TO		REMARKS	
	AWG	COLOR	POINT	CONN	TERM	POINT		CONN
10	18	VIO	11	---	---	TBI-6	WIRE HARNESS	
	↑	RED	12,13	---	---	TBI-5		
	↓	ORN	14	---	---	TBI-4		
	↓	BRN	15	---	---	TBI-3		
	↓	WHT	16	---	---	TBI-2		
	↓	18	WHT	17	---	TBI-1		
	↓	14	GRN/YEL	7	---	E2 (GND)		
8	14	GRN/YEL	8	---	---	E2 (GND)	WIRE HARNESS	
	18	GRY/BRN	9	---	---	CBI-4		
	↑	GRY/YEL	10	---	---	CBI-3		
8	↓	RED	7	---	---	FLI-1	WIRE HARNESS	
	↓	GRN	8	---	---	FLI-2		
12	18	BRN	---	XFI-2	SOLDER	CBI-5	17	3.75
7	18	BLU	---	FLI-3	---	CBI-6	17	6.00
7	18	BRN	---	FLI-4	---	XFI-1	SOLDER	6.00
3	18	BLU	3	J2-N	---	CBI-6	---	---
	18	BRN	1	J2-L	---	CBI-5	---	---
	14	GRN/YEL	2	J2-E	---	E1 (GND)	---	---
	18	BRN	3	J1-L	---	CBI-1	---	---
4	18	BLU	1	J1-N	---	CBI-2	---	---
	14	GRN/YEL	2	J1-E	---	E1 (GND)	---	---



REVISIONS		
CHK	CHANGE NO.	REV.

REV. A
 NUMBER D AD 7014991-0-0