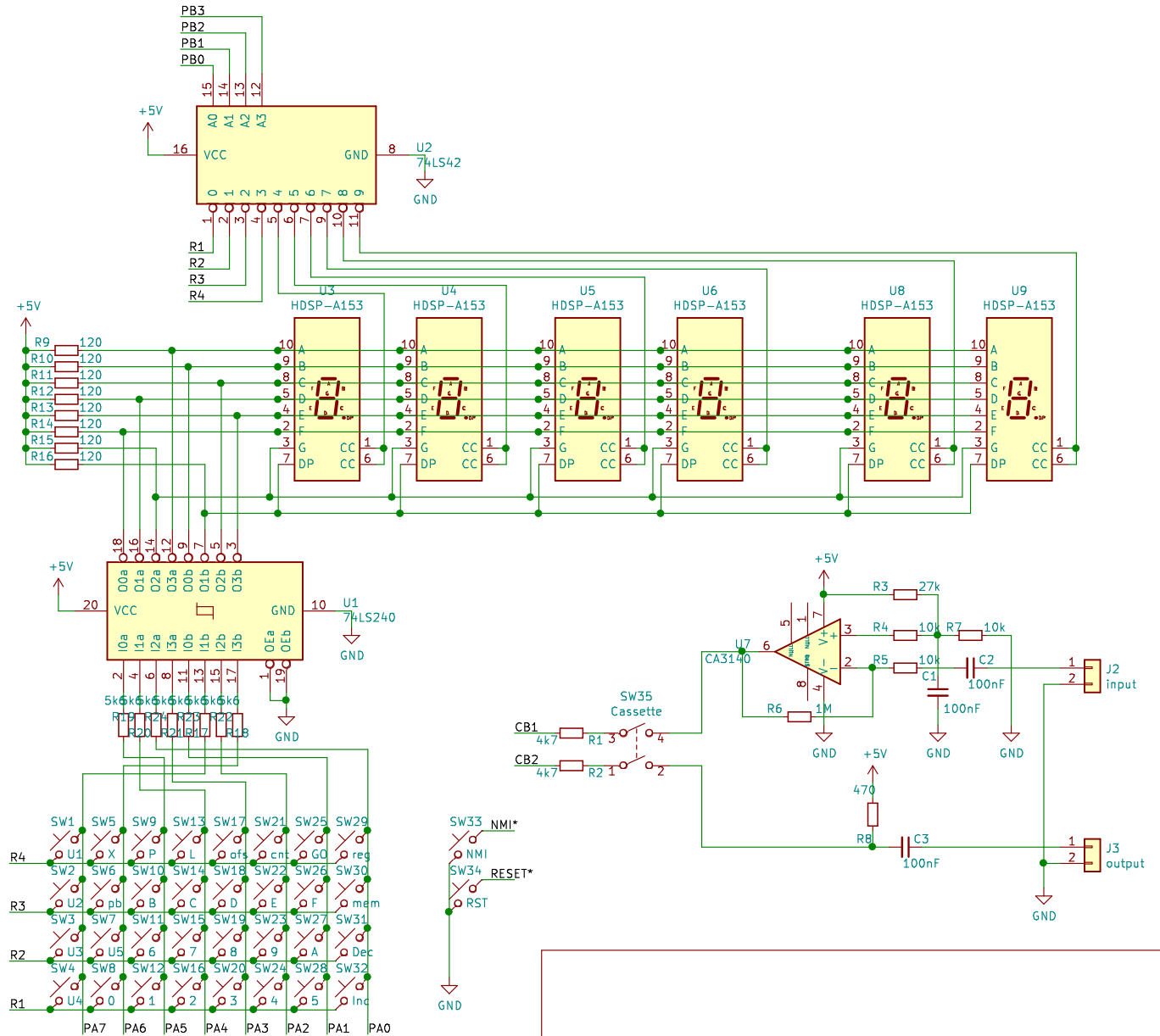
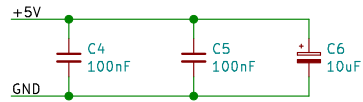


J1  
I/O-connector

+5V	1	2	+5V
+5V	3	4	+5V
PA0	5	6	PA1
PA2	7	8	PA3
PA4	9	10	PA5
PA6	11	12	PA7
CA1	13	14	CA2
PB0	15	16	PB1
PB2	17	18	PB3
PB4	19	20	PB5
PB6	21	22	PB7
CB1	23	24	CB2
RESET*	25	26	NMI*
IRQ*	27	28	FIRQ*
	29	30	
GND	31	32	GND
GND	33	34	GND



Sheet: /	
File: MicroKit09_I0.sch	
<b>Title:</b>	
Size: A4	Date:
KiCad E.D.A. kicad 5.1.4-e60b26684ubuntu18.04.1	<b>Rev: 1.1</b>
	Id: 1/1