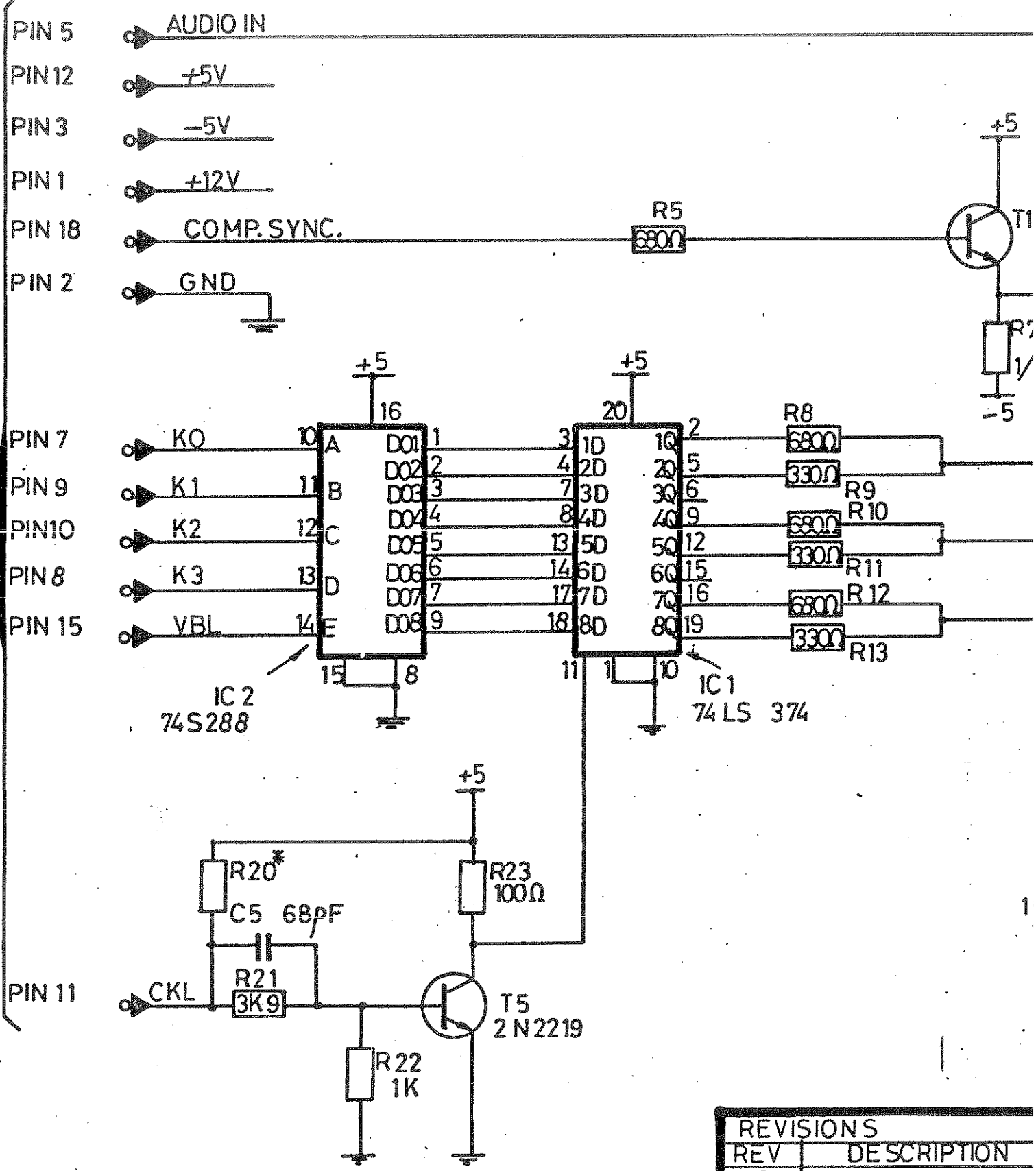
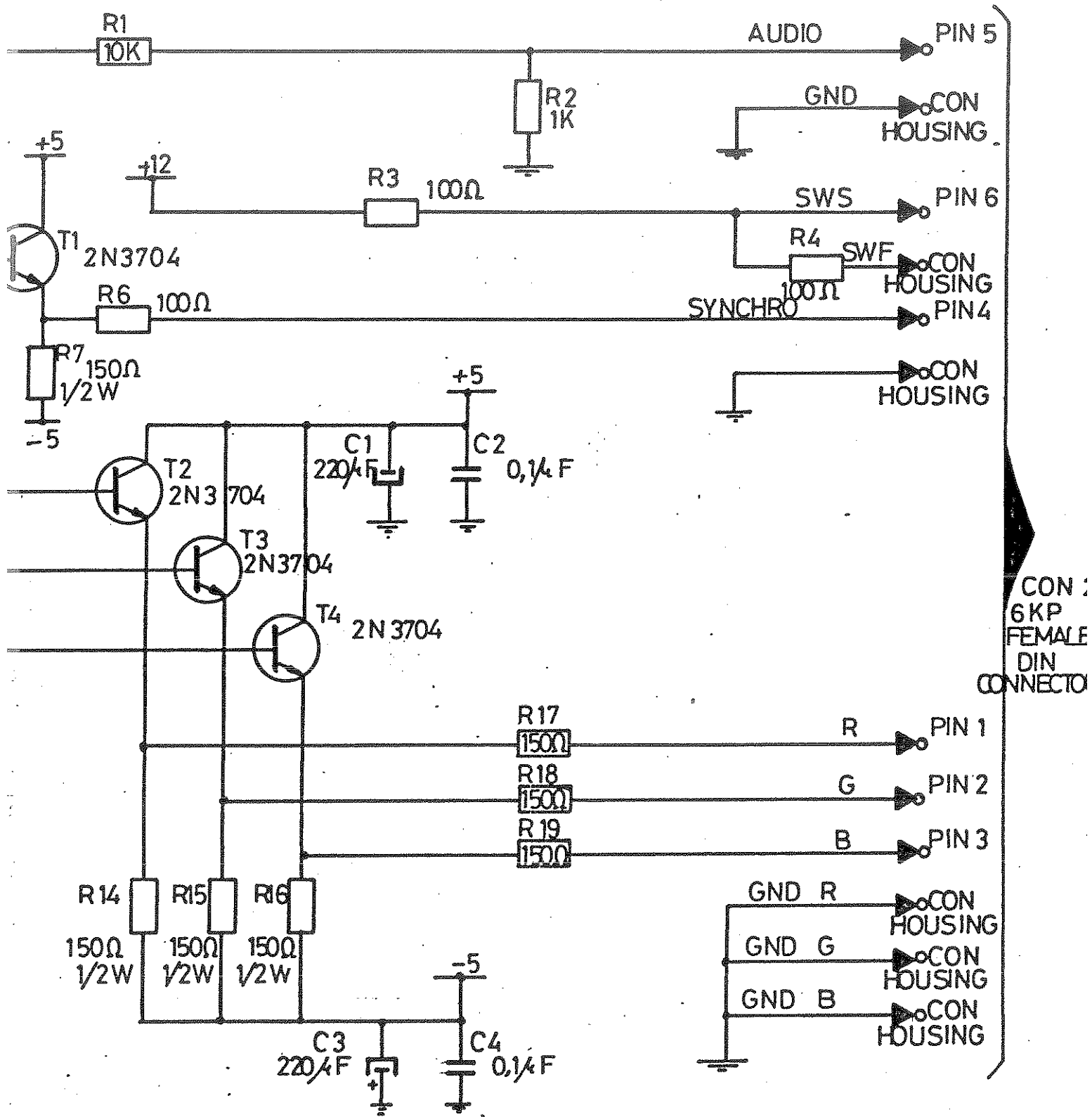


UNIT CONNECTOR



*R20 IN OPTION

REVISIONS	
REV	DESCRIPTION
0	
1	
2	NO CHANGE REV 12
3	
4	
5	
6	
7	

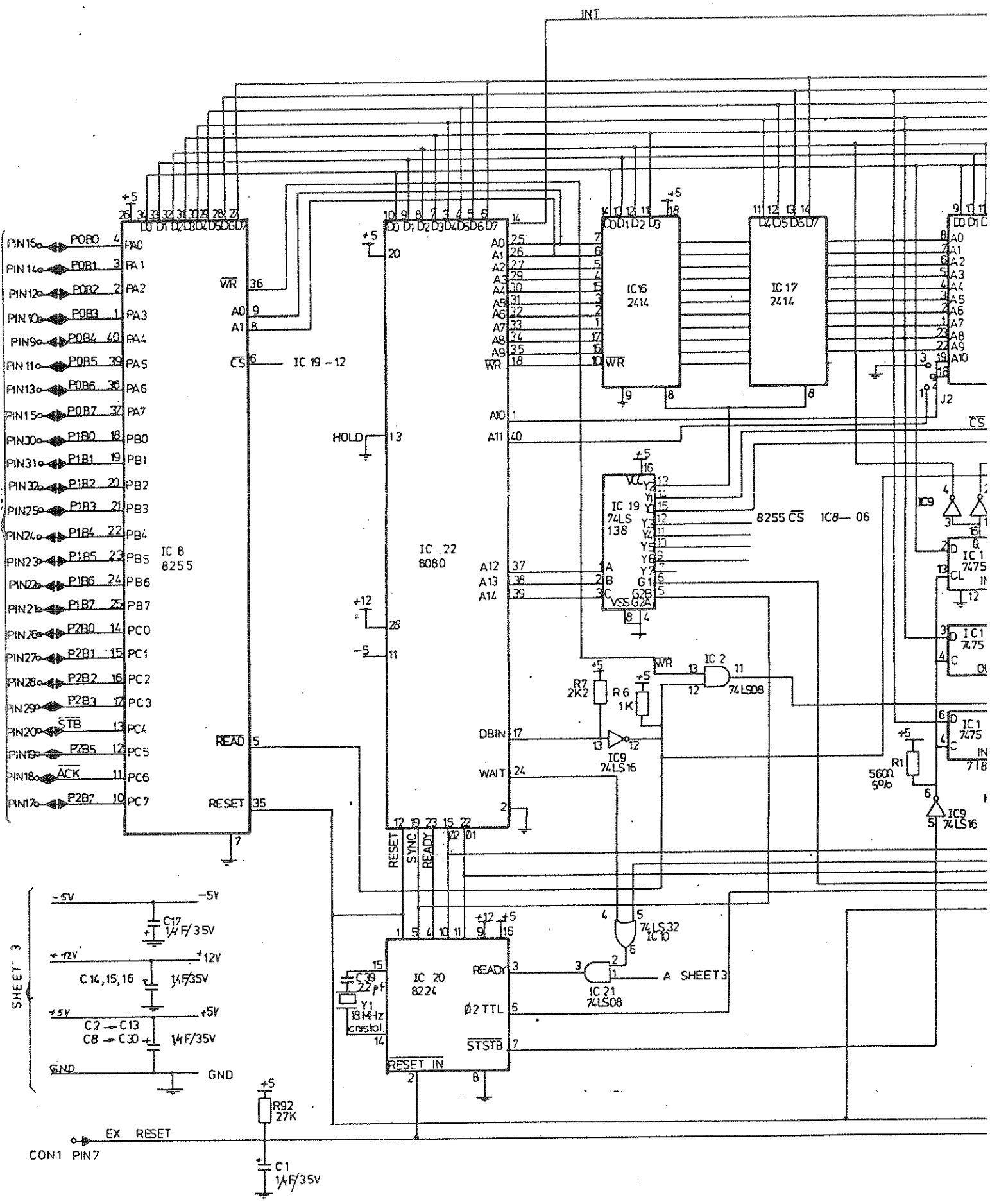


ION	DATE	DSGN	DRAWN	Checked
REV 12	7-12-82		-0-S-	

INDATA:

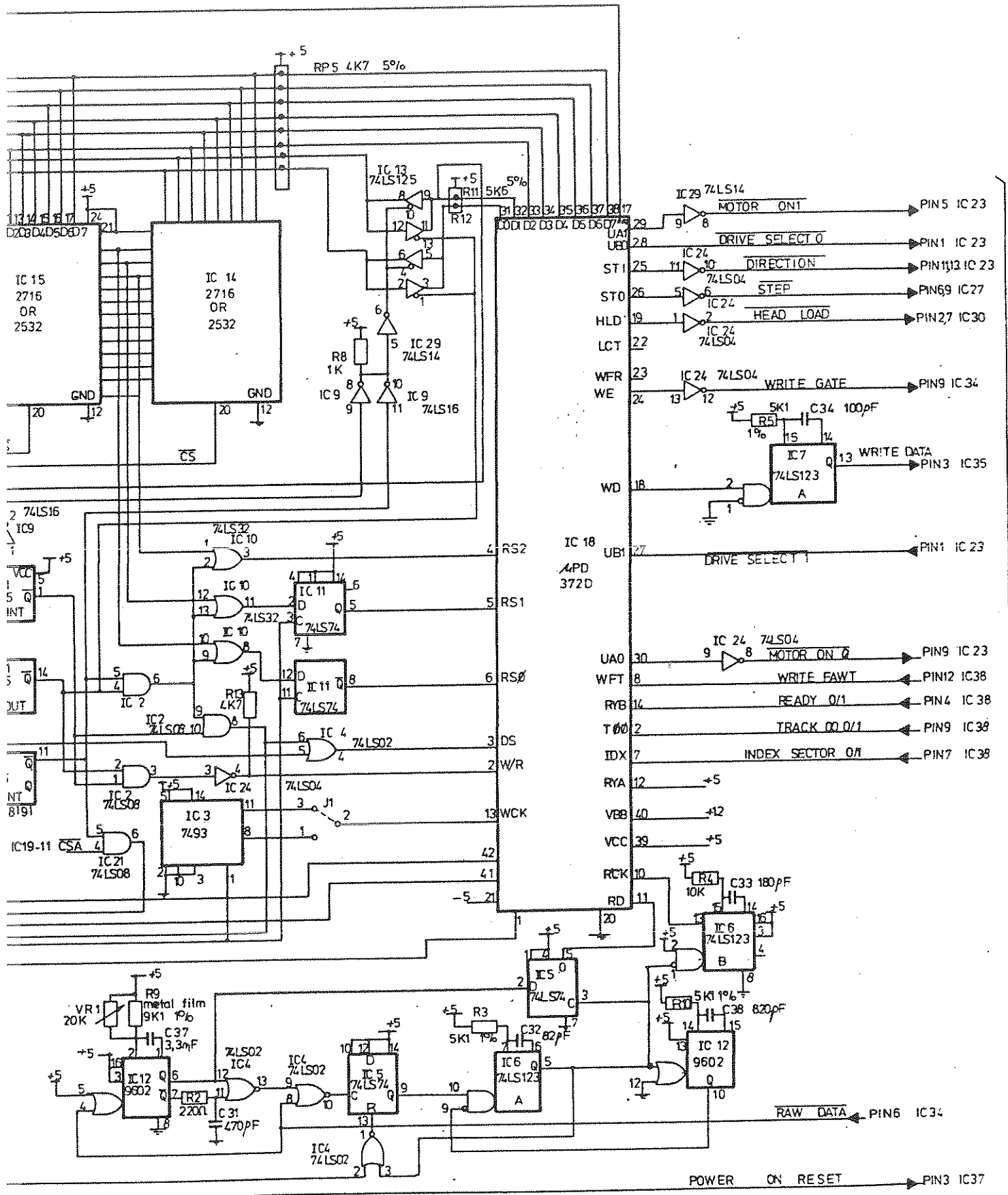
TITLE:
DC-RGB INTERFACE.

SHEET OF SCALE DRAWING NR/REV
1.2



SHEET 3

A SHEET 3



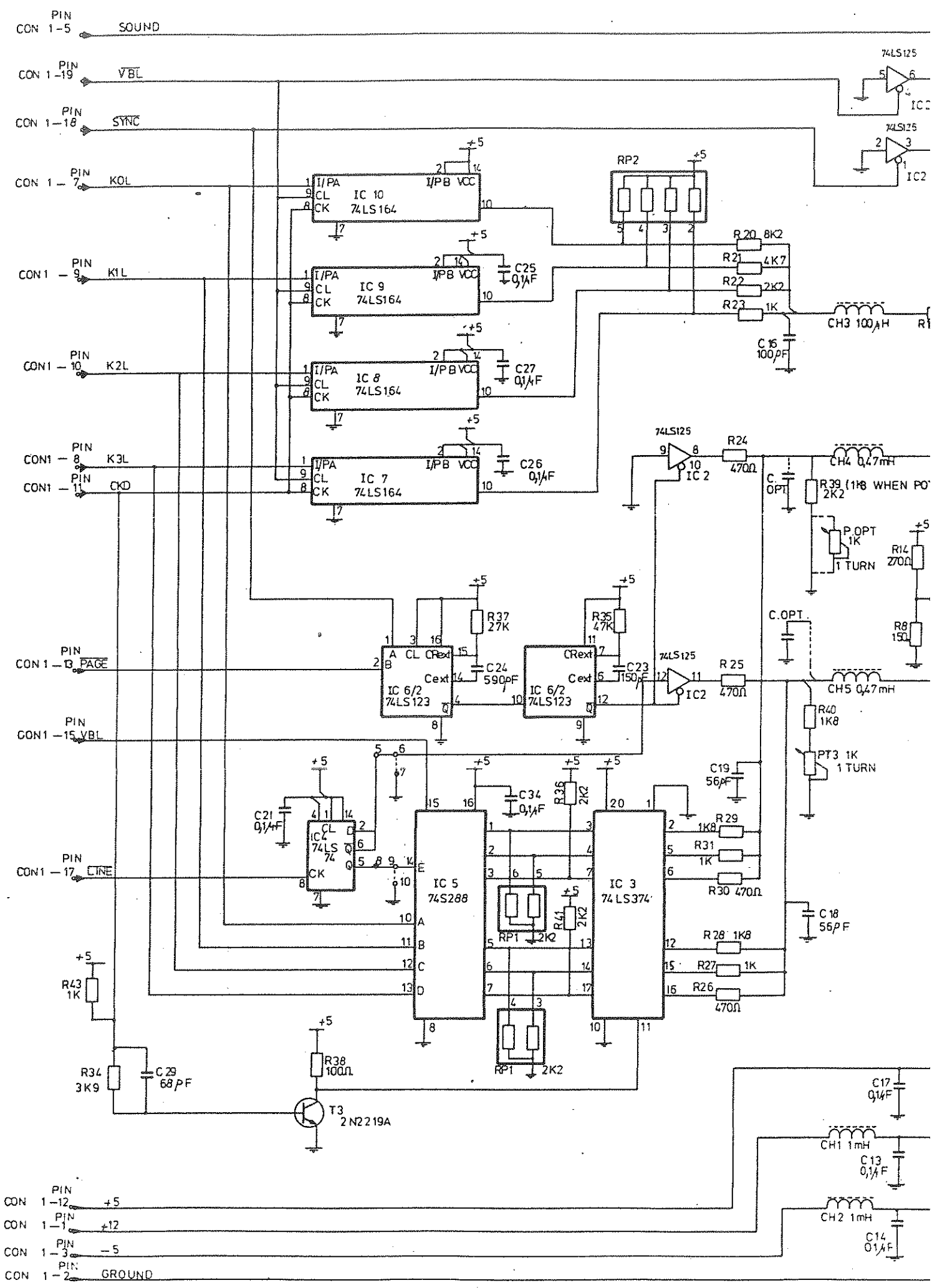
SHEET

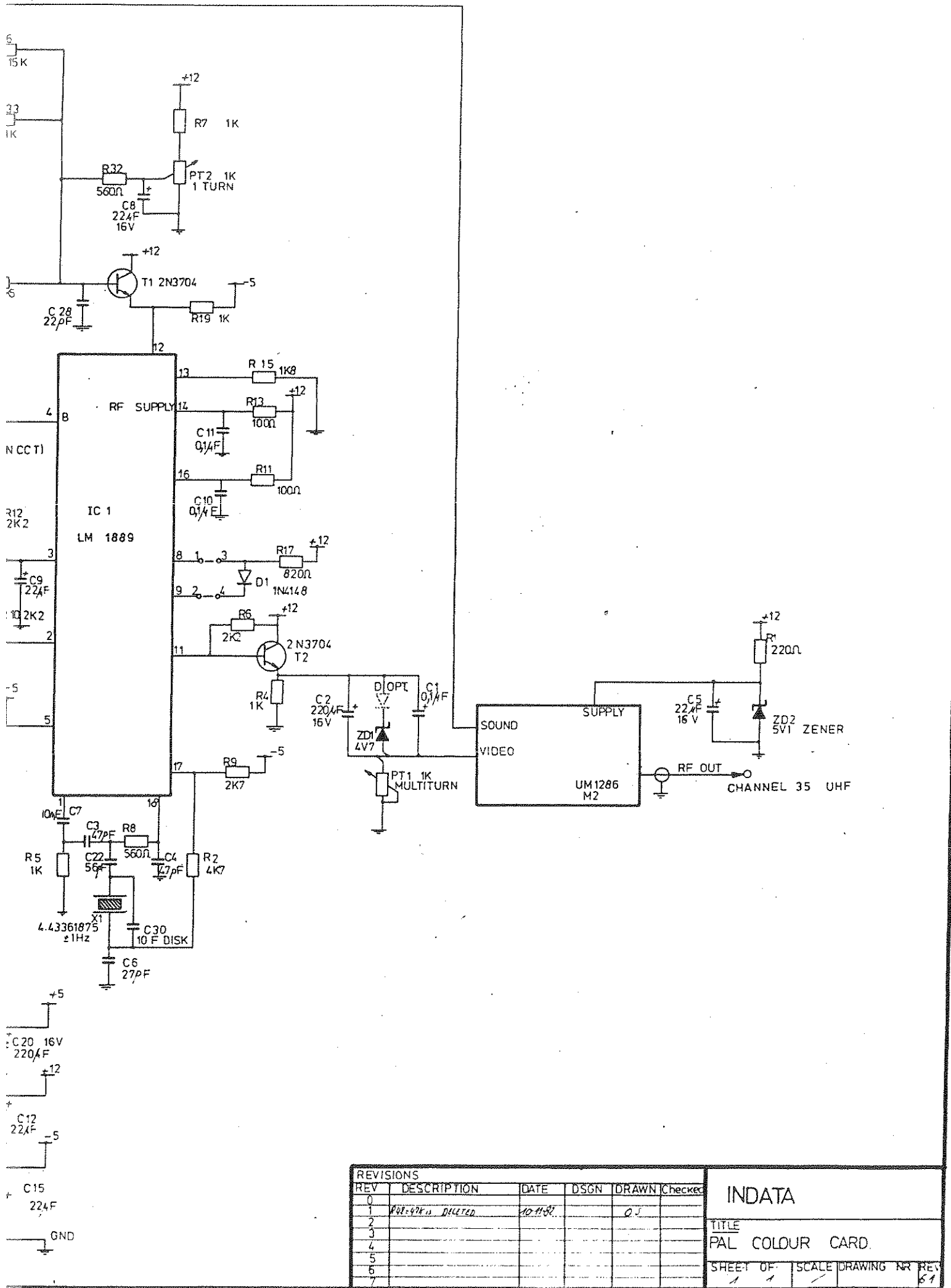
REVISIONS				
REV	DESCRIPTION	DATE	DSGN	DRAWN/Checked
0				-0-S-
1				
2	Pin 13 of IC 12 conn to GND.	10-11-82		
3				
4				
5				
6				
7				

INDATA.

TITLE
DC - FDC Rev 1.3

SHEET OF SCALE DRAWING NR
1 3





REVISIONS					
REV	DESCRIPTION	DATE	DSGN	DRAWN	Checked
0					
1	R4E-97K is DELETED	10-11-82		O.J.	
2					
3					
4					
5					
6					
7					

INDATA

TITLE
PAL COLOUR CARD.

SHEET OF: SCALE: DRAWING NR: REV: 51

SHEET 1
PIN8 IC24

SHEET 1
PIN8 IC29

MOTOR ON 0

MOTOR ON 1

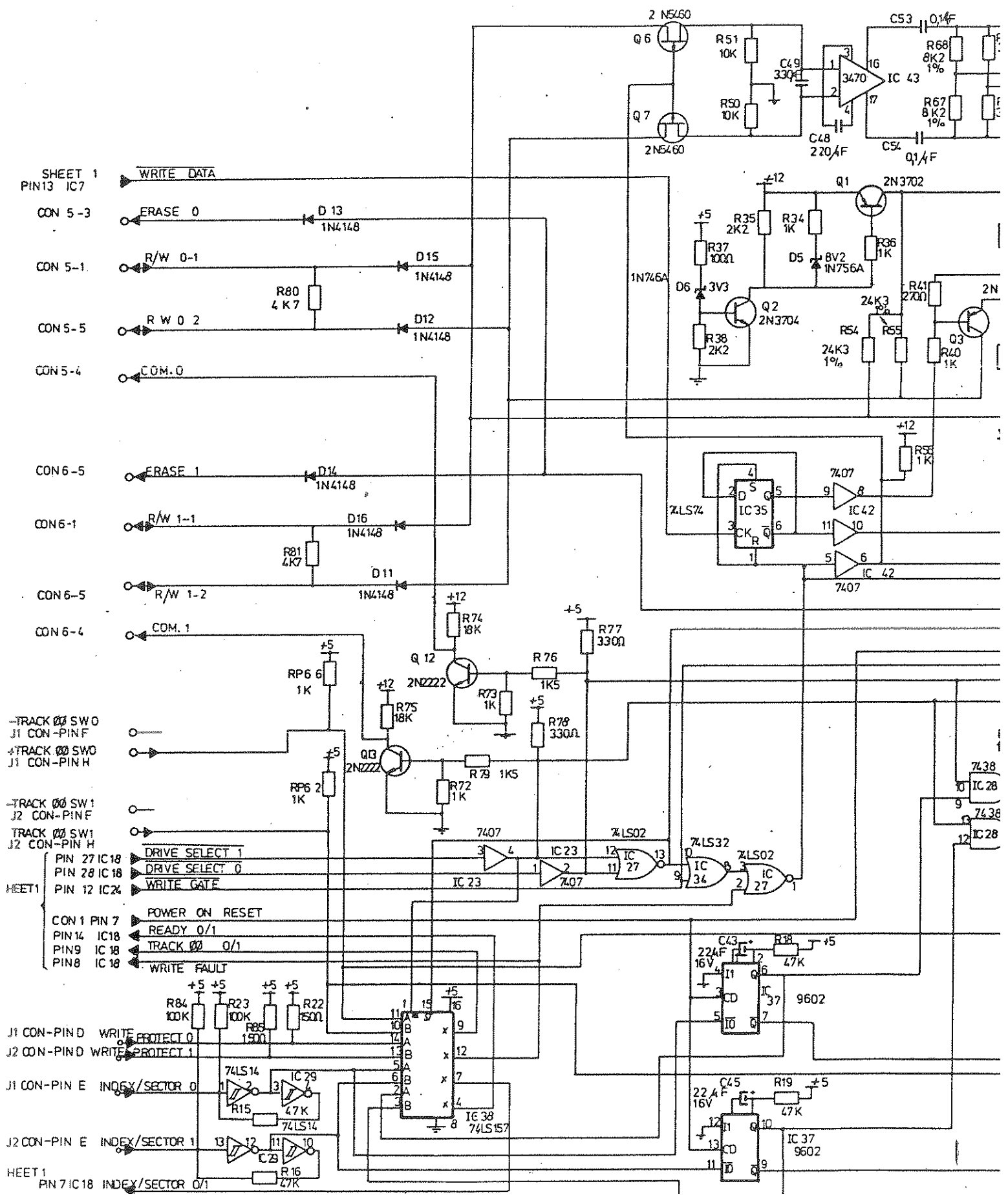
RP6-8
1K

7407
9

IC2
8

IC2
6

IC 2



SHEET 1
PIN13 IC7

WRITE DATA

CON 5-3

ERASE 0

CON 5-1

R/W 0-1

CON 5-5

R/W 0 2

CON 5-4

COM.0

CON 6-5

ERASE 1

CON 6-1

R/W 1-1

CON 6-5

R/W 1-2

CON 6-4

COM.1

-TRACK 0 SW0

J1 CON-PIN F

-TRACK 0 SW0

J1 CON-PIN H

-TRACK 0 SW1

J2 CON-PIN F

TRACK 0 SW1

J2 CON-PIN H

PIN 27 IC18

PIN 28 IC18

PIN 12 IC24

CON 1 PIN 7

PIN14 IC18

PIN9 IC18

PIN8 IC18

J1 CON-PIN D

J2 CON-PIN D

J1 CON-PIN E

J2 CON-PIN E

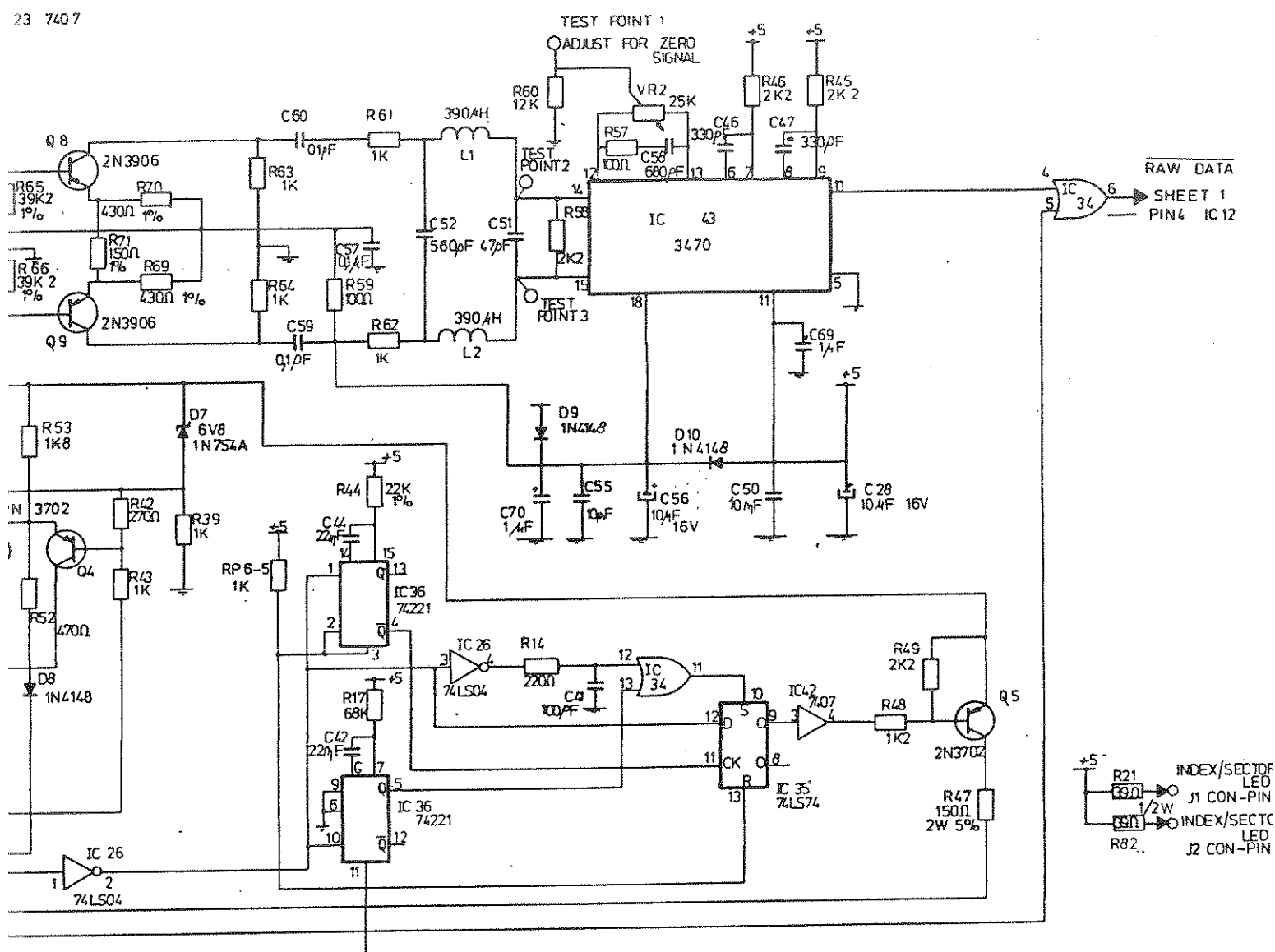
HEET 1

PIN 7 IC18

INDEX/SECTOR 0/1

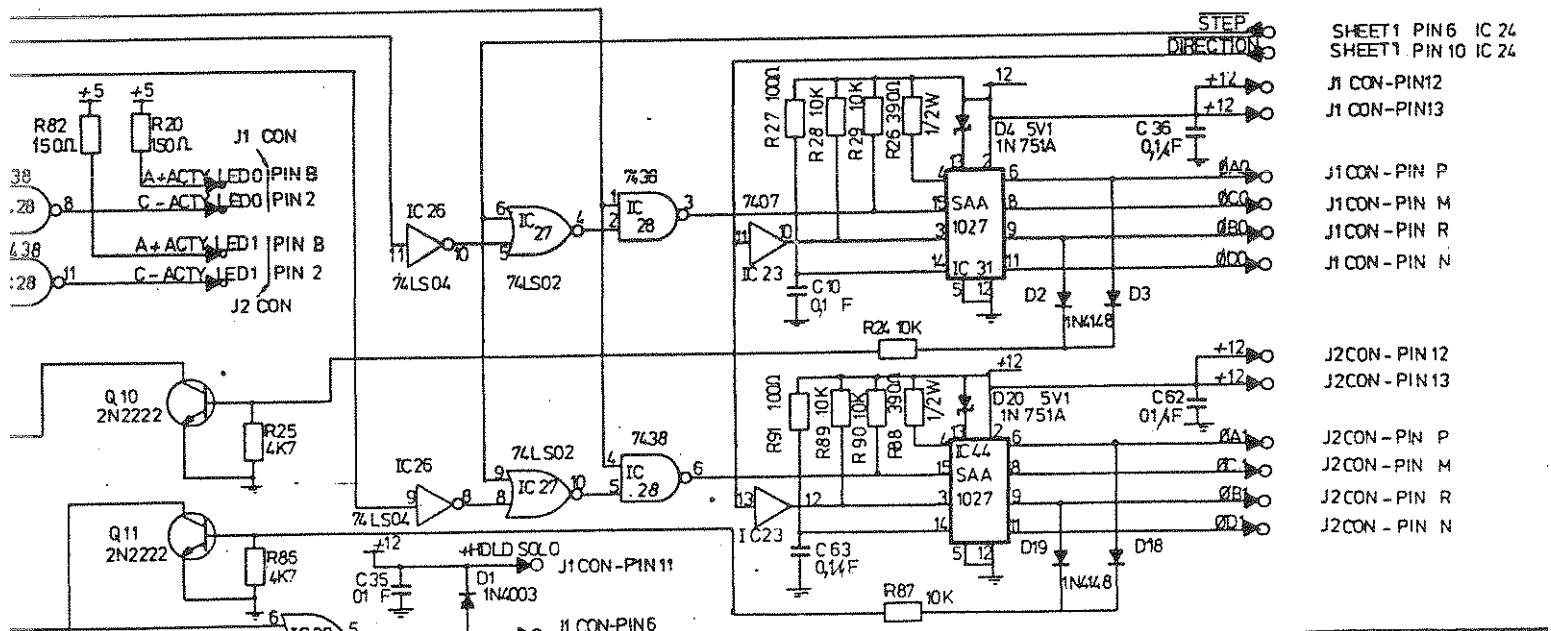
3 K
RP6-7
1K
23
23 7407

MOTOR ON J1 CON-PIN
MOTOR ON J2 CON-PIN

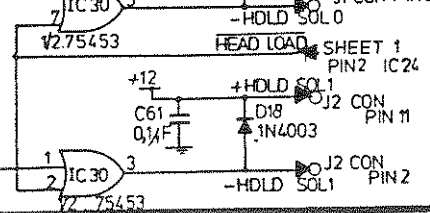


RAW DATA
SHEET 1
PIN 4 IC 12

+5V INDEX/SECTION LED
R21 68Ω 1/2W J1 CON-PIN
INDEX/SECTION LED
R82 J2 CON-PIN



SHEET 1 PIN 6 IC 24
SHEET 1 PIN 10 IC 24
J1 CON-PIN 12
J1 CON-PIN 13
J1 CON-PIN P
J1 CON-PIN M
J1 CON-PIN R
J1 CON-PIN N
J2 CON-PIN 12
J2 CON-PIN 13
J2 CON-PIN P
J2 CON-PIN M
J2 CON-PIN R
J2 CON-PIN N



REV	DESCRIPTION	DATE	D'SGN	DRAWN	Checked
0					0 S
1					
2					
3	NO CHANGE	10-11-82			
4					
5					
6					
7					

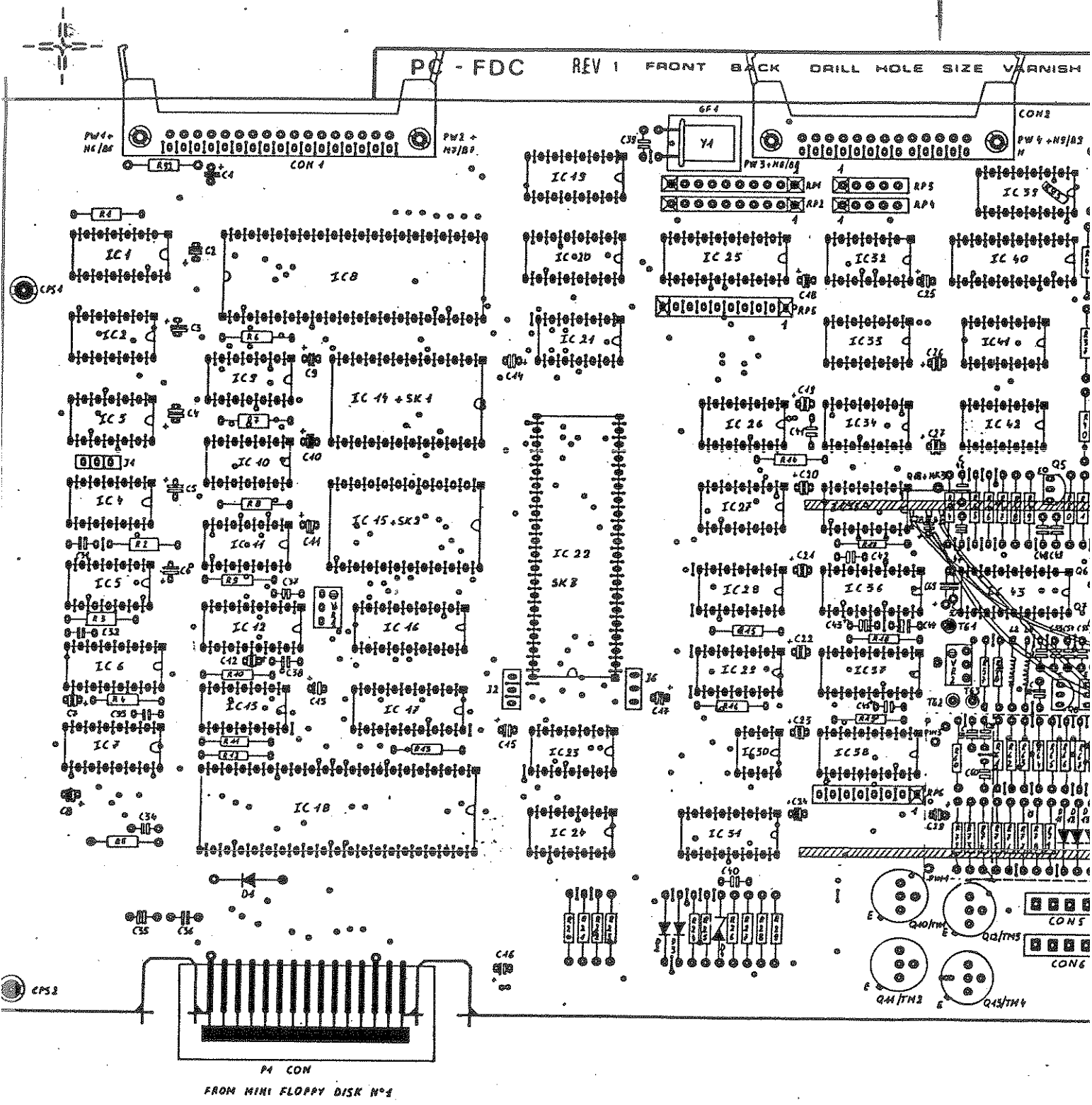
INDATA.
TITLE DC - FDC Rev. 1.3
SHEET OF 3 SCALE DRAWING 'N

QTY	DESIGNATION	SHEET LOCATION R SP	N	PARTS	QTY	DESIGNATION	SHEET LOCATION R SP	N	PARTS	QTY	DESIGNATION		
CB	PC BOARD	-	57	Q1	1	2N3702 TRANSISTOR	2	113	C50	1	10mF Cap. cera		
DR4	POWER ASSEMBLY BOX-LID 6.2x1 SELF TAP SCREW 3x9mm	3	8	Q2	1	2N3704	2	4	C51	1	47pF " "		
T1	TRANSFORMER	3	9	Q3-5	3	2N3702	2	5	C52	1	560pF " "		
PH4	34 PINS MALE RA CONNECTOR	4	60	Q6-7	2	2N5460	2	6	C53	1	0.1μF " "		
N2	26 PINS MALE RA CONNECTOR	4	1	Q8-9	2	2N5906	2	7	C54	1	0.1μF " "		
N3	AC MAIN SOCKET WITH VOL- TAGE SELECTOR	3	2	Q10-13	4	2N279A, TM 1-4	2	8	C55	1	10mF " "		
IN4	ROCKER SWITCH	3	3	Q14	1	TIP 34 + MK2	3	9	C56	1	10μF/16V Cap. cer		
PH3,6	2x4 SINGLE PINS AMP	2	4	Q15	1	8D 4V0	3	120	C57	1	0.1μF Cap. cerom		
A2	24 PINS SOCKET LQ	1	5	Q16	1	2N4399 + MK3	3	1	C58	1	680pF " "		
C4	7475	1	6	Q17	1	7805 (15V)	3	2	C59	1	0.1μF " "		
C2	74LS08	1	7	Q18	1	LM 320T (-5V) + MK4	3	3	C60	1	0.1μF " "		
C3	7493	1	8	Q19	1	TIC 146F	3	4	C61	1	0.1μF " "		
C4	74LS02	1	9					5	C62	1	0.1μF " "		
C5	74LS74	1	70	D1	1	1N4003 DIODE	2	6	C63	1	0.1μF " "		
C6,7	74LS433	1	1	D2-3	2	1N4448	2	7	C64	1	0.33μF Cap. MK		
C8	8255	1	2	D4	1	1N754A 5.1V ZENER	2	5	8	C65-68	4	0.1μF Cap. cera	
C9	7416	1	3	D5	1	1N756A 8.2V "	2	5	9	C69-70	2	1μF/35V Cap. tan	
C10	74LS52	1	4	D6	1	1N746A 3.3V "	2	5	130	C71	1	4700μF/40V Cap. elect	
C11	74LS74	1	5	D7	1	1N754A 6.8V "	2	5	1	C72	1	0.1μF Cap. ceramic	
C12	9602	1	6	D8-16	9	1N4448	2	5	2				
C13	74LS435	1	7	D17	1	1N4003	2	5	3	C74	1	0.33μF Cap. MK	
C14,15	1531 or 2716	1	8	D18-19	2	1N4448	2	5	4	C75	1	0.1μF Cap. cera	
C16,17	2444	1	9	D20	1	1N754A 5.1V ZENER	2	5	5	C76	1	-	
C18	MPD 372D	1	80	D21	1	1N388DR	3	-	6	C77	1	150pF " "	
C19	74LS458	1	1	D22	1	1N752A 5.6V ZENER	3	4.5	7	C78	1	0.1μF " "	
C20	8224	1	2	D23	1	1N753A 12V ZENER	3	4.5	8	C79	1	0.1μF " "	
C21	74LS08	1	3	D24	1	1N4448	3	4.5	9	C80	1	0.1μF " "	
C22	8080	1	4	D25	1	1N754A 6.4V ZENER	3	3	VERTI- CAL	140	C81	1	10mF " "
C23	7407	2	5	D26-29	4	1N4004	3	3	VERTI- CAL	1	C82	1	1μF " "
C24	74LS04	1	6					2		2	C83	1	0.1μF " "
C25	8286	3	7	F1	1	FUSE 4A	3	3		3	C84	1	470μF/25V Cap. el
C26	74LS04	2	8	X1-2	2	FUSE HOLDER CLIPS	3	4		4	C85	1	10000μF/16V
C27	74LS02	2	9	VR1-2	2	TRIMMER COMMERCIAL 20K	4-2	5		5	C86-88	4	0.1μF Cap. cera
C28	7458	2	90	SK3	1	40 PIN SOCKET	2	6		6			
C29	74LS44	2	1	CA-27	27	1μF/35V Cap. tantalum	4-23	7		7	C94	1	150pF " "
C30	75453	1	2	C28	1	10μF/16V " "	2	4		8			
C31	SAR 4027	2	3	C29-30	2	1μF/35V " "	2	4		9	ST 1		SOLDER TAG 4mm
C32*	74425	3	4	C31	1	470pF Cap. ceramic	1	2		150	T61-3	3	TERMINAL TAGS
C33*	74LS74	3	5	C32	1	82pF " "	4	1		1	L4	1	COL. BRACO + E COR W/IT + 8 CORE WITHOUT OIR + COPPER SHIELD WITH
C34	74LS38	2	6	C33	1	100pF " "	1	2		2	L1,3	2	390μH
C35	74LS74	2	7	C34	1	100pF " "	1	2		3	RP1*	1	RESISTOR PACK 51L9
C36	74224	2	8	C35	1	0.1μF " "	2	2		4	RP2*	1	" " 51L9
C37	9602	2	9	C36	1	0.1μF " "	2	2		5	RP3*	1	" " 51L5
C38	74LS457	1	100	C37	1	3.3mF " "	1	2		6	RP4*	1	" " 51L5
C39*	74LS423	2	1	C38	1	820pF " "	1	2		7	RP5*	1	" " 51L7 (Cor 50)
C40*	74LS244	3	2	C39	1	2.2pF " "	1	2		8	RP6*	1	" " 51L9
C41*	74LS00	3	3	C40	1	0.1μF " "	2	2		9			
C42	7403	2	4	C41	1	100pF " "	2	2		160	R4	1	Resistor 560R 1/4 W
C43	342D	2	5	C42	1	22mF " "	2	2		1	R2	1	" " 220R "
C44	SAR 4027	2	6	C43	1	22μF/16V Cap. tantalum	2	1		2	R3	1	" " 5K1 1/4 W
C45	56 5524	3	7	C44	1	22mF Cap. ceramic	2	2		3	R4	1	" " 10K 1/4 W
			8	C45	1	22μF/16V Cap. tantalum	2	1		4	R5	1	" " 5K1 1/4 W
Y1	18MHz CRYSTAL	1	9	C46	1	330pF Cap. ceramic	2	2		5	R6	1	" " 1K 1/4 W
GF4	GUDY FOAM 15x10mm		110	C47	1	330pF " "	2	2		6	RP	1	" " 2K1 "
GF8	GUDY FOAM 35x10mm		1	C48	1	220mF " "	8	2		7	RB	1	" " 1K "
RA	BRIDGE RECTIFIER 200V 1000mA	3	2	C49	1	550pF " "	2	2		8	RS	1	" " 9K1 1/4 W

1	2	169	R40	1	Resistor	5K4	1/4W	1%	1	5	225	R76	1	Resistor	4K5	1/4W	5%	2	5												
2	1	170	R41	1	"	5K6	1/4W	5%	1	5	6	R77-78	2	"	390R	"	"	2	5												
2	2	1	R42	1	"	5K6	"	"	1	5	7	R79	1	"	4K5	"	"	2	5												
2	2	2	R43	1	"	4K7	"	"	1	5	8	R80-84	2	"	4K7	"	"	2	5												
2	2	3	R44	1	"	230R	"	"	2	5	9	R82	1	"	39R	1/4W	5%	2	5												
2	2	4	R45	1	"	47K	"	"	2	5	230	R83	1	"	150R	1/4W	5%	2	5												
2	4	5	R46	1	"	47K	"	"	2	5	1	R84	1	"	100K	"	"	2	5												
2	2	6	R47	1	"	68K	1/4W	1%	2	5	2	R85	1	"	150R	"	"	2	5												
2	2	7	R48	1	"	47K	1/4W	5%	2	5	3	R86	1	"	4K7	"	"	2	5												
2	2	8	R49	1	"	47K	"	"	2	5	4	R87	1	"	10K	"	"	2	5												
2	2	9	R50	1	"	150R	"	"	2	5	5	R88	1	"	390R	1/2W	5%	2	5												
2	2	180	R24	1	"	39R	1/2W	5%	2	5	6	R89-90	2	"	10K	1/4W	5%	2	5												
2	2	1	R23	1	"	150R	1/4W	5%	2	5	7	R94	1	"	100R	"	"	2	5												
2	2	2	R25	1	"	100K	"	"	2	5	8	R92	1	"	27K	"	"	1	5												
3	3	3	R24	1	"	10K	"	"	2	5	9																				
3	2	4	R25	1	"	4K7	"	"	2	5	240	R94	1	"	230R	"	"	3	VERTICAL												
3	4	5	R26	1	"	390R	1/2W	5%	2	5	1	R95*	1	"	10K	"	"	3													
3	6	6	R27	1	"	100R	1/4W	5%	2	5	<p>2 * CHANGES REV 1-3 TO 1-4</p> <p>3 ✓ BOX 15 SPACED 7416 NOT 741616.</p> <p>4 ✓ BOX 15-15V RESISTOR PINS CORRECTLY SPACED TO ROOMMATES</p> <p>5 ✓ BOX 272. DATE DIAL SPECIFIED BEING NOT ITEM.</p> <p>6</p>																				
3	7	7	R28	1	"	10K	"	"	2	5	7	R104	1	"	22R	1/4W	5%	3	5.5												
3	8	8	R29	1	"	10K	"	"	2	5	8	R102	1	"	100R	1/4W	5%	3	4.5												
3	2	1								5	9	R103	1	"	1K	"	"	3	4.5												
3	3	3	R34	1	"	1K	"	"	2	5	250	R104-101	4	"	5K6	"	"	3	VERTICAL												
3	4	4	R35	1	"	2K2	"	"	2	5	11	R108	1	"	39R	1/2W	5%	3	4.5												
3	5	5	R36	1	"	1K	"	"	2	5	2	R109	1	"	5K9	1/4W	5%	3	4.5												
3	6	6	R37	1	"	100R	"	"	2	5	3	R110	1	"	33K	"	"	3	4.5												
3	7	7	R38	1	"	2K2	"	"	2	5	4	R114	1	"	56R	"	"	3	4.5												
3	8	8	R39	1	"	1K	"	"	2	5	5	R112	1	"	2K2	"	"	3	4.5												
3	9	9	R40	1	"	1K	"	"	2	5	6	R113	1	"	0.48R	4-25W	10%	3	7.5												
3	200	R44	1	"	230R	"	"	2	5	7	PW4-4	4	PLASTIC WASHER	3mm			3														
3	11	R42	1	"	270R	"	"	2	5	8	PH4-3	3	METAL PIN				2														
3	2	R43	1	"	1K	"	"	2	5	9	SH4	4	COPPER SHIELD				2														
3	3	R44	1	"	22K	1/4W	1%	2	5	260	71,72,76	3	3PIN HEADER SINGLE ROW + SHORTING PLUG				4														
3	4	R45	1	"	2K2	1/4W	5%	2	5	1	73,74,75	3	JUMPER ASSMANN				3														
3	5	R46	1	"	8K2	"	"	2	5	2	H4-N5	5	METAL NUTS	3mm			3														
3	6	R47	1	"	150R	2W	5%	2	5	3	B4-B5	6	METAL BOLTS 3x10mm + LOCK WASHER				3														
3	7	R48	1	"	1K2	1/4W	5%	2	5	4	N6-N9	4	METAL NUTS	2.5mm			4+3														
3	8	R49	1	"	2K2	"	"	2	5	5	B6-B9	4	METAL BOLTS	2.6x10mm			4+3														
3	9	R50-51	2	"	10K	"	"	2	5	6	CPS 1-3	3	CANOE CLIPS																		
3	210	R52	1	"	430R	"	"	2	5	7	CF1	1	COOLING FIN LARGE				3														
3	1	A53	1	"	1KB	"	"	2	5	8	TH4-4	4	TRANSISTOR MOUNTING				2														
3	2	R54-55	2	"	24K3	1/4W	1%	2	5	9	MK4-4	4	MOUNTING KIT FOR TRANSFORMER				3														
3	3	R56	1	"	1K	1/4W	5%	2	5	270	W4	1	GREEN WIRE: 10cm				5														
3	4	R57	1	"	100R	1/4W	5%	2	5	1	W8	1	BLACK WIRE: 16cm				3														
3	5	R58	1	"	2K2	"	"	2	5	2	W3	1	WHITE WIRE: 8cm + SLEEVE TUBING				3														
3	6	R59	1	"	100R	"	"	2	5	3	W4	1	GREEN WIRE: 10cm				3														
3	7	R60	1	"	12K	"	"	2	5	4	W5	1	BLACK WIRE: 10cm				3														
3	8	R61-64	4	"	1K	"	"	2	5	5	W6	1	YELLOW WIRE: 10cm + SOLDERING CLIP 3																		
3	9	R65-66	2	"	39K3	1/4W	1%	2	5	6	W7	1	COPPER WIRE 0.5mm 2cm				3														
3	220	R67-68	2	"	18K2	"	"	2	5	<p>COMPONENT LAYOUT</p> <p>TITLE: P.C. - FDC * FOR UNITS WITHOUT HARD-DISK INTERFACE USE ONLY COMPONENTS WITHOUT ASTERIX</p> <p>SHEET 2 OF 2</p> <table border="1"> <thead> <tr> <th>REV.</th> <th>DATE</th> <th>DRAWN</th> <th>APPROV</th> <th>SCALE</th> <th>REF NUMBER</th> </tr> </thead> <tbody> <tr> <td>1.6:</td> <td>12/09/83</td> <td>RONNY</td> <td>LS P</td> <td>-1-</td> <td></td> </tr> </tbody> </table>										REV.	DATE	DRAWN	APPROV	SCALE	REF NUMBER	1.6:	12/09/83	RONNY	LS P	-1-	
REV.	DATE	DRAWN	APPROV	SCALE	REF NUMBER																										
1.6:	12/09/83	RONNY	LS P	-1-																											
3	1	R69-70	2	"	430R	"	"	2	5																						
3	2	R74	1	"	150R	"	"	2	5																						
3	3	R72-73	2	"	1K	1/4W	5%	2	5																						
3	4	R74-75	2	"	48K	1/4W	5%	2	5																						

CHANGES REV 1.5 TO 1.4 See 4 ABOVE
 CHANGE 887 6470 4.6 15K3 ROBE

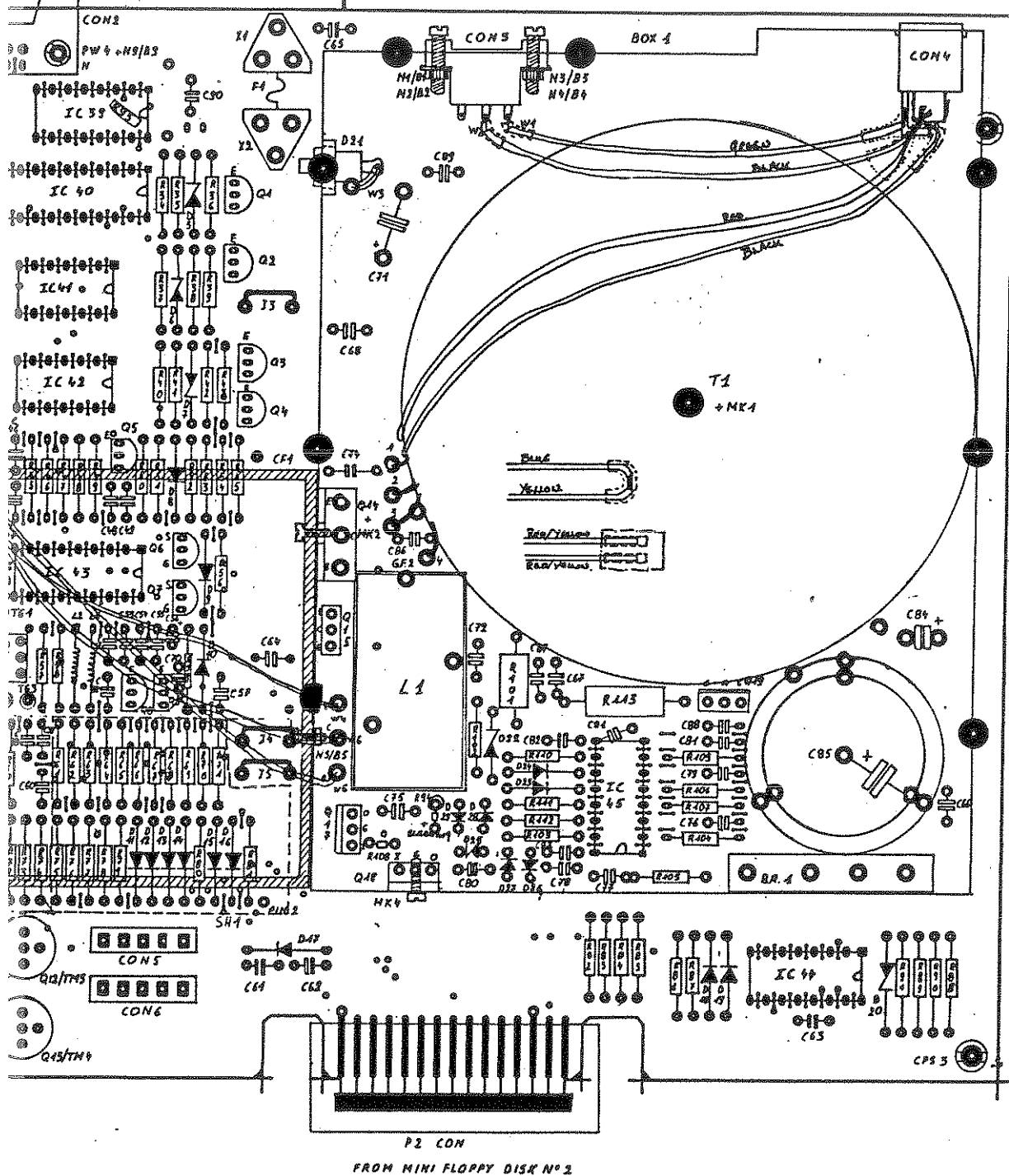
PC - FDC REV 1 FRONT BACK DRILL HOLE SIZE VARNISH



P4 CON
FROM MINI FLOPPY DISK N°1

REV	DATE	CHANGES	APP'D
1	10/10/81	INITIAL LAYOUT	J.F.
2	10/10/81	ADDED BAR	J.F.

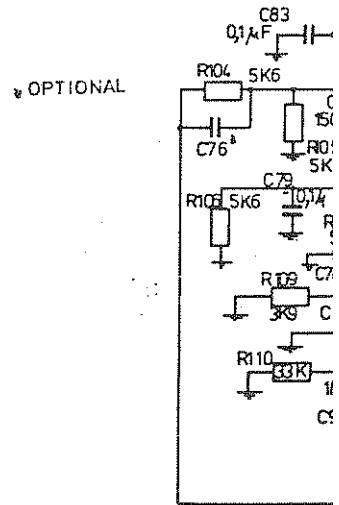
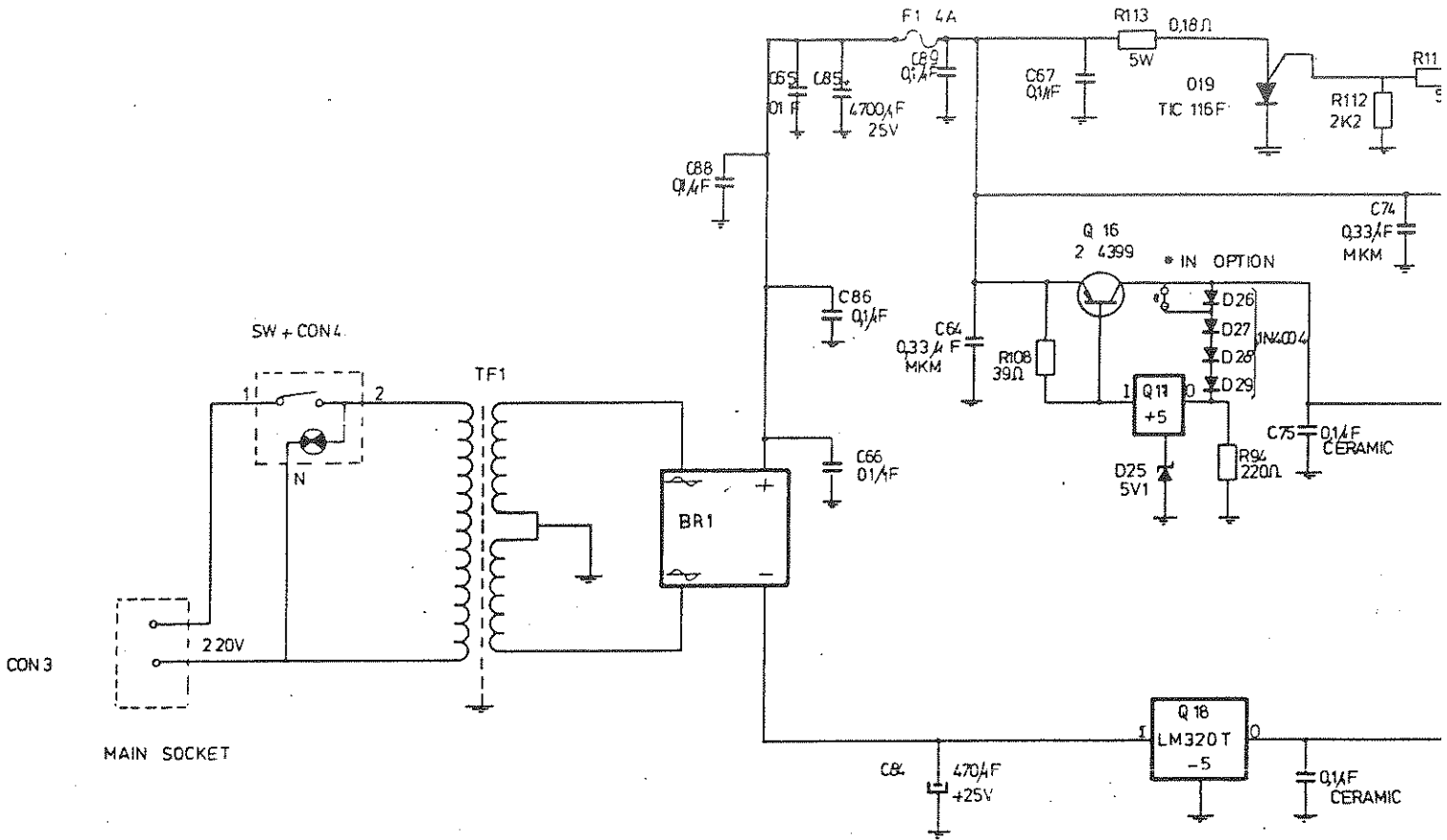
IZE VARNISH 22 14 81 BOM

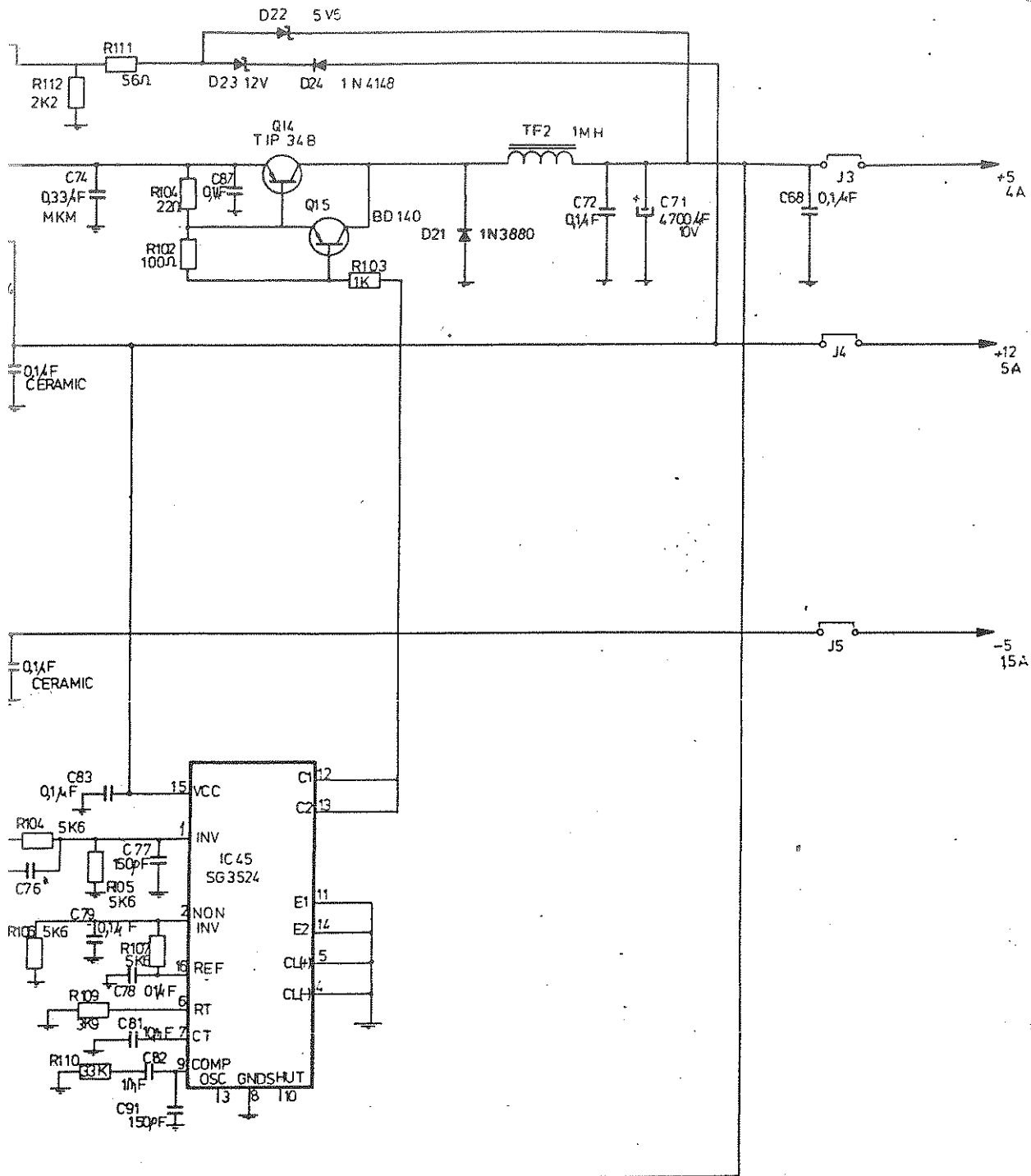


N.B. All board connections to Con 4 must be made before TUBING REVERSE.

REVISIONS					
rev	description	date	sign	drawn	checked
0					
1-3	COMPONENT LAYOUT	29.10.81		RONNY	L.S.P.
4	BAR ADDED	18/08/82		BAMBUS	

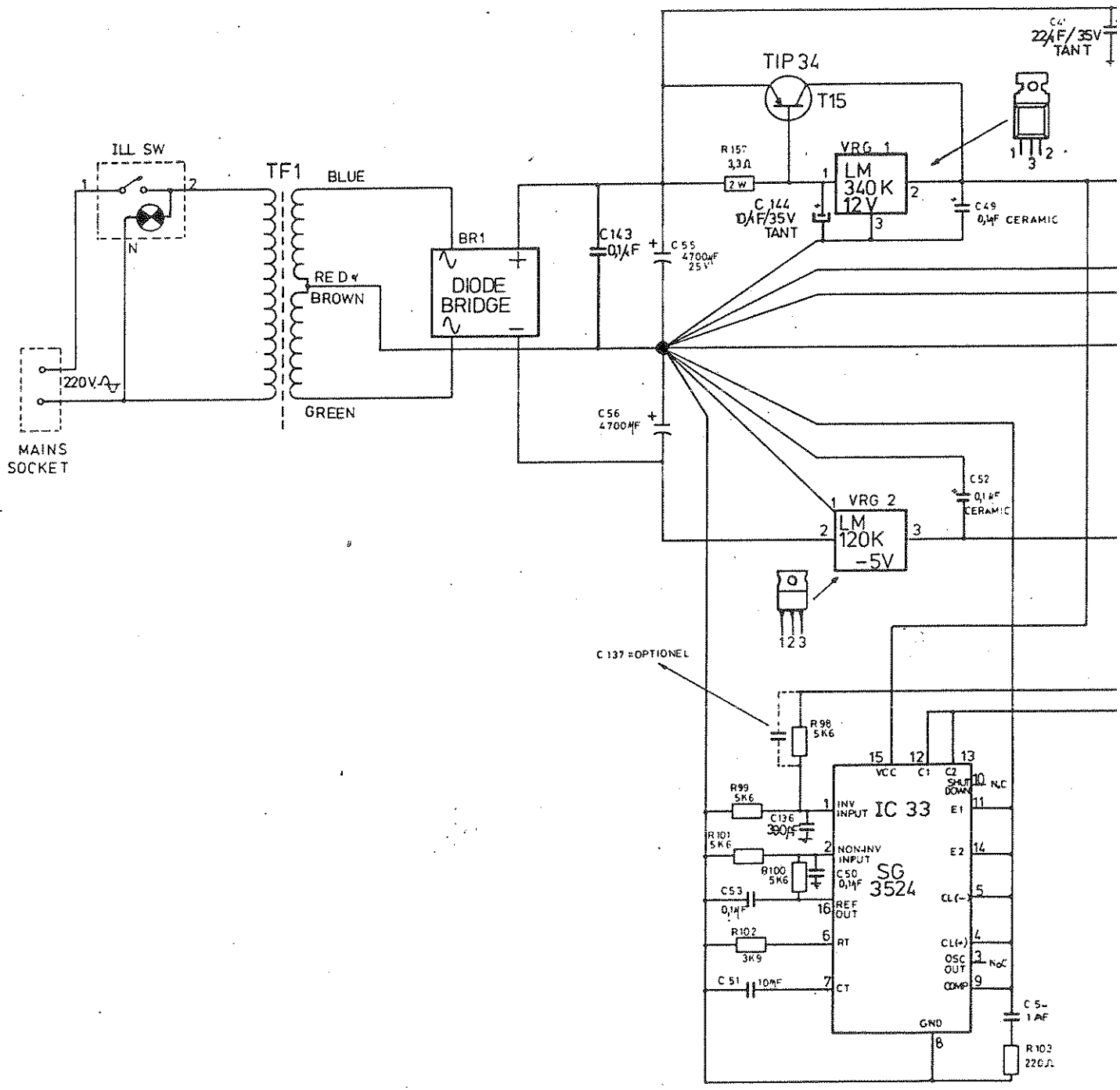
TITLE
PC-FDC
SHEET 1 OF 2
SCALE -/-
DRAWING NR
REV 1.6

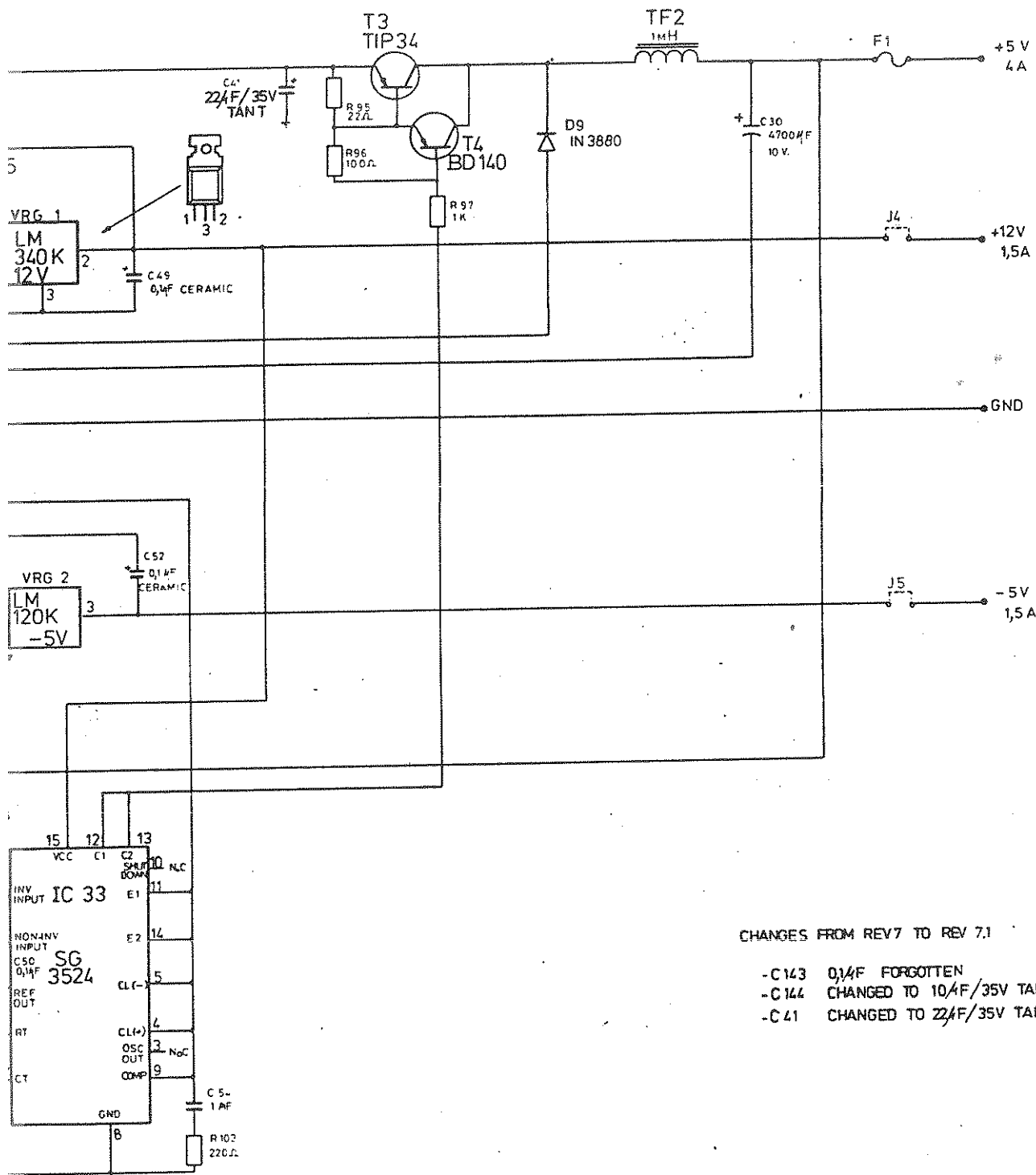




REVISIONS					
REV	DESCRIPTION	DATE	DSGN	DRAWN	Checked
0					
1					
2					
3	NO CHANGE	12.11.81		OS	
4					
5					
6					

INDATA.			
TITLE			
DC-FDC POWER SUPPLY			
SHEET OF	SCALE	DRAWING NR	REV
3	3		13



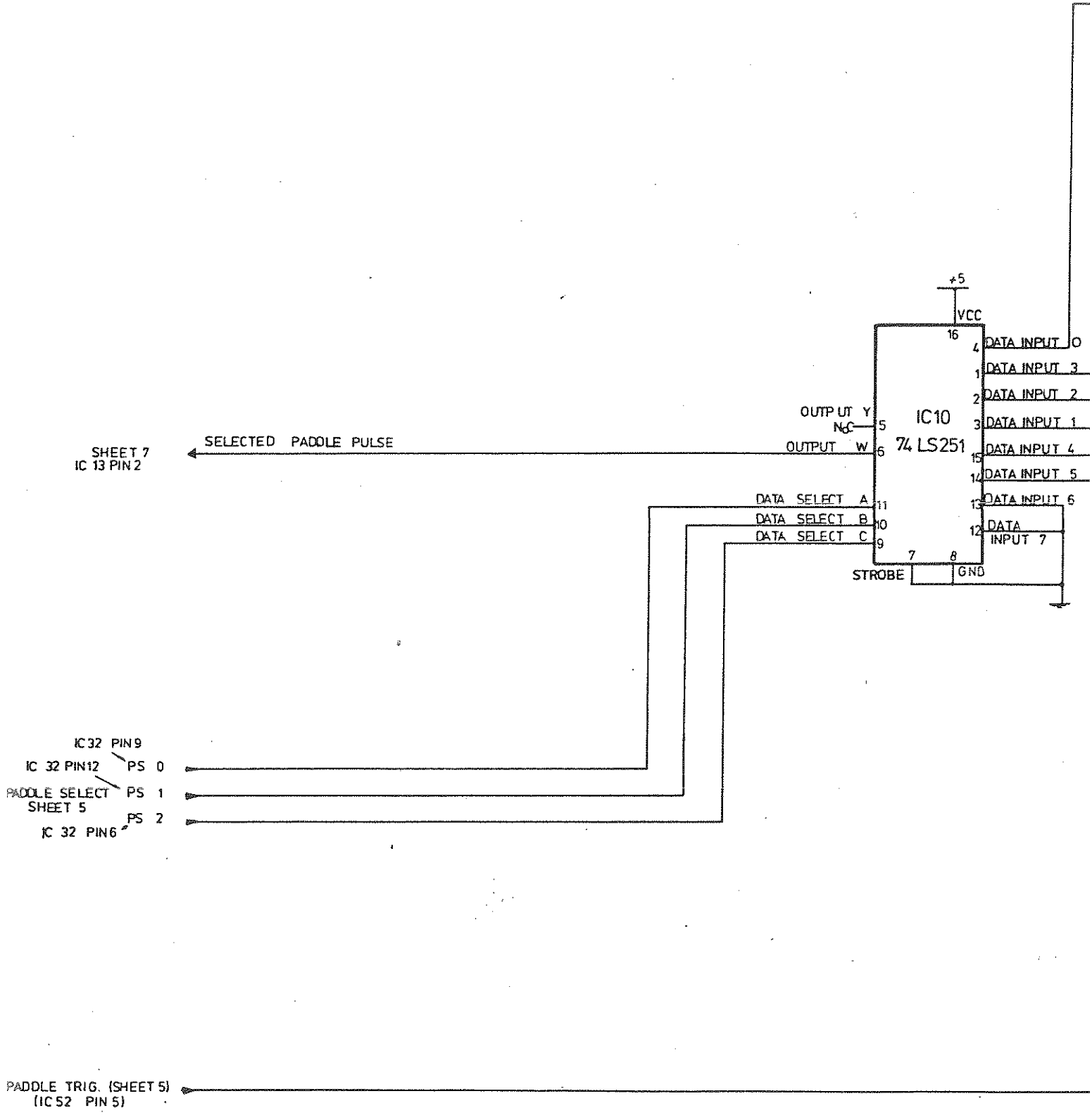


CHANGES FROM REV7 TO REV 7.1

- C143 0,1F FORGOTTEN
- C144 CHANGED TO 10uF/35V TANT
- C41 CHANGED TO 22uF/35V TANT.

REV	DESCRIPTION	DATE	DSGN	DRAWN	Checked
0	As coming from Rev 6 to Rev 7	25-10-82			-O.S- R.A.
1	See INDA	2-11-82			K.C.
2					
3					
4					
5					
6					
7					

INDATA.			
TITLE: D.C. POWER SUPPLY			
SHEET OF	SCALE	DRAWING NR	REV
10 11		SHEET 10	7.1



SHEET 7
IC 13 PIN 2

SELECTED PADDLE PULSE

OUTPUT Y
NC

OUTPUT W

+5
VCC

IC10
74LS251

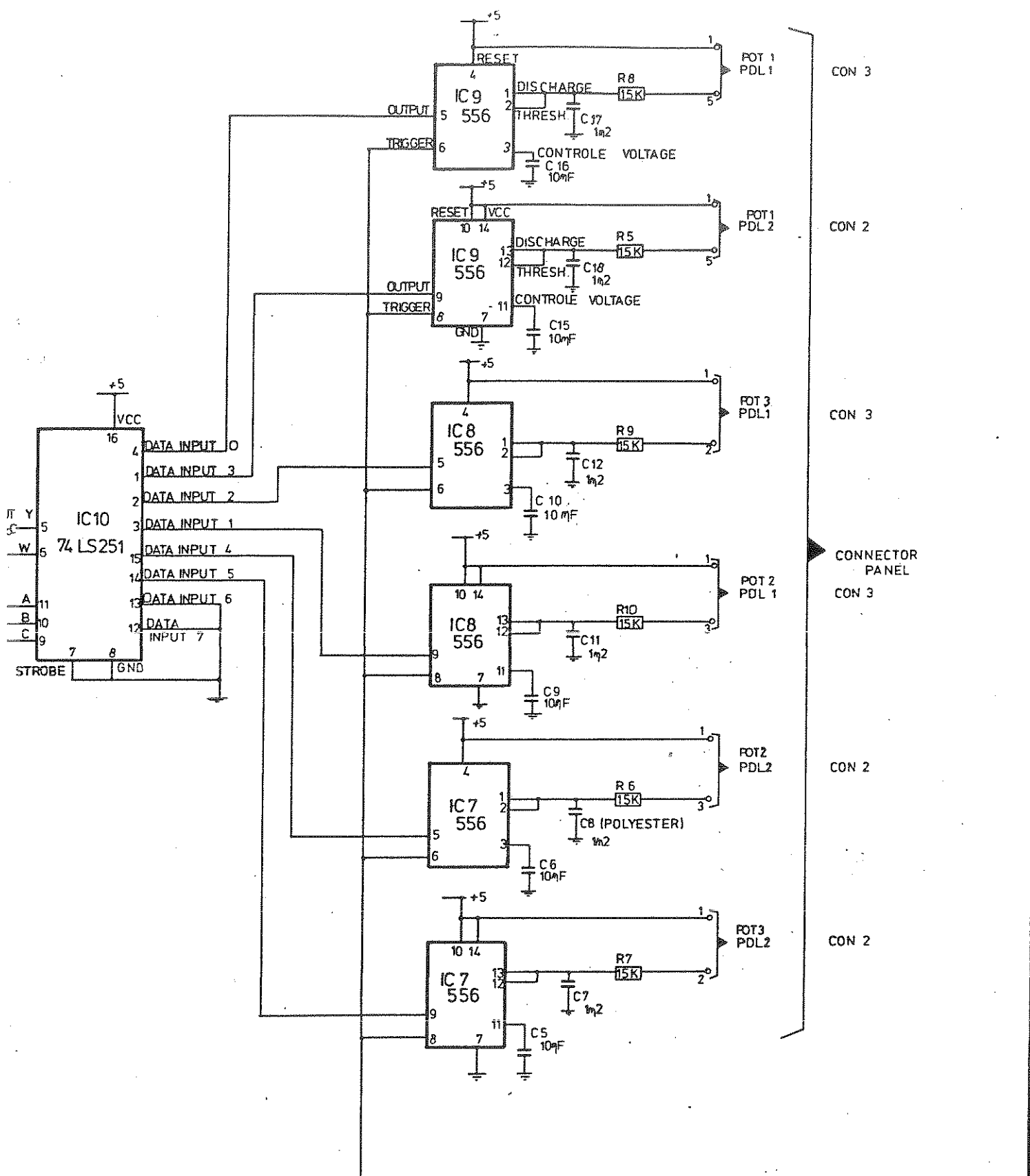
DATA INPUT 0
DATA INPUT 3
DATA INPUT 2
DATA INPUT 1
DATA INPUT 4
DATA INPUT 5
DATA INPUT 6
DATA INPUT 7

DATA SELECT A
DATA SELECT B
DATA SELECT C

STROBE GND

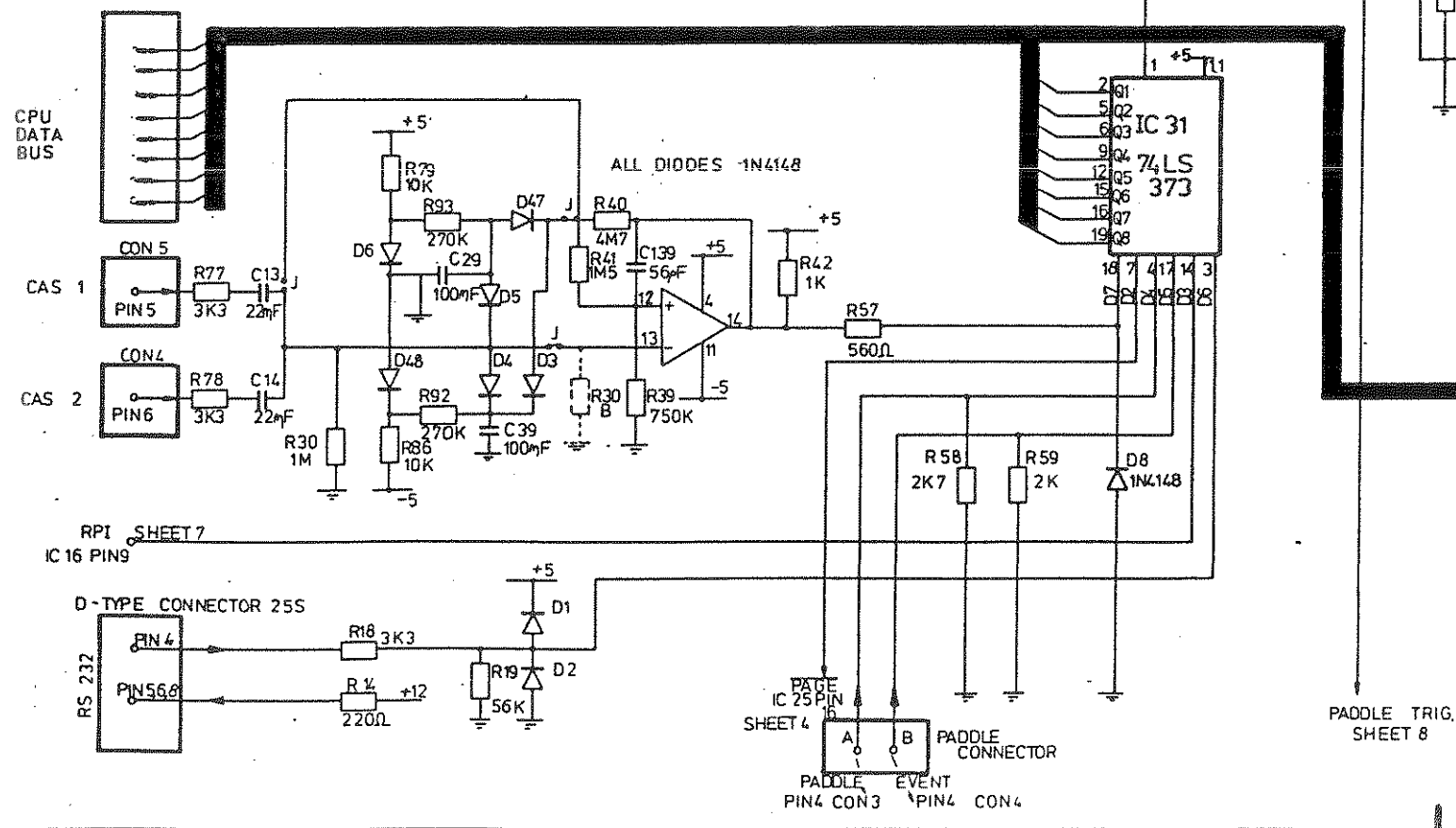
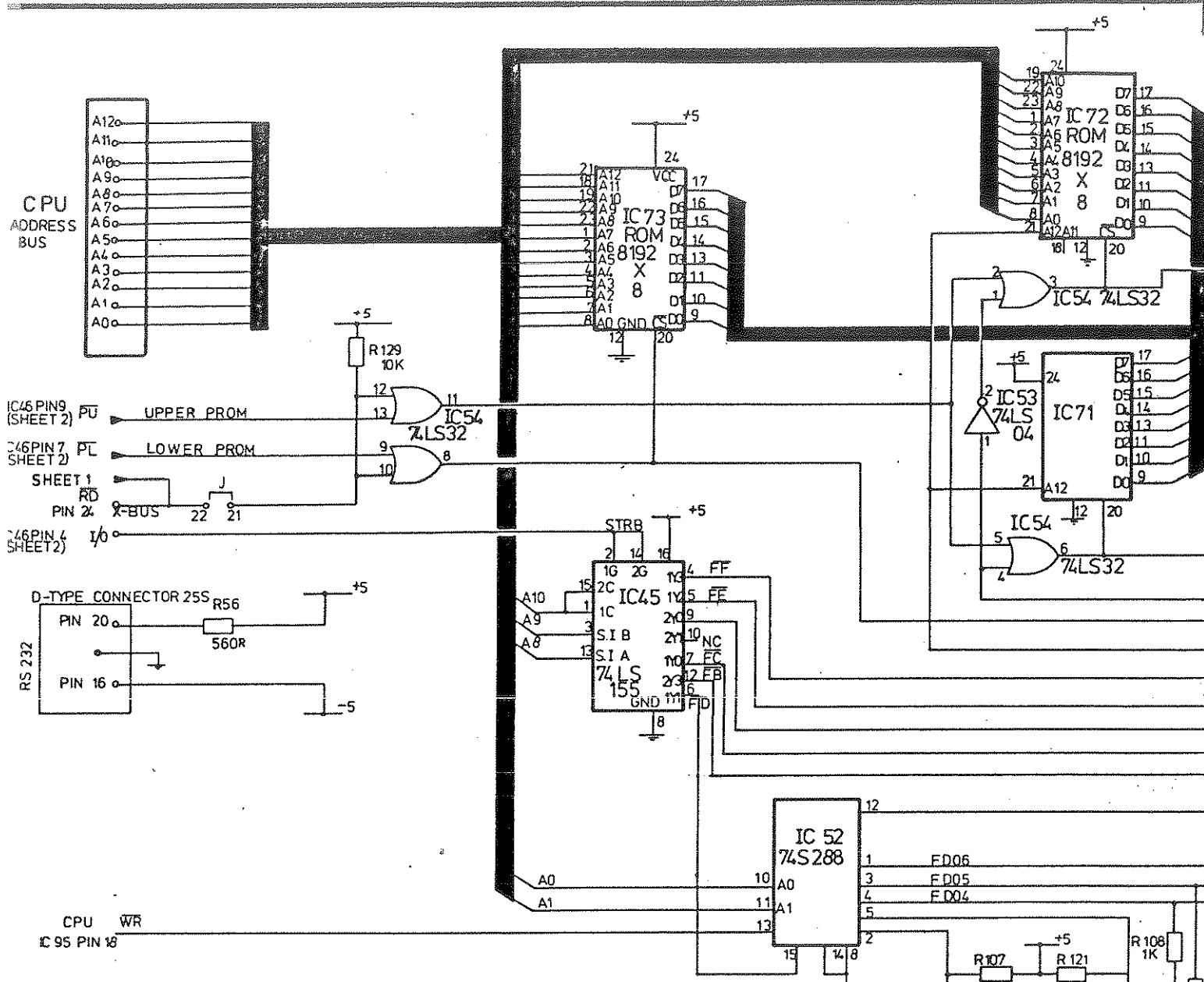
IC 32 PIN 9
IC 32 PIN 12 PS 0
PADDLE SELECT SHEET 5 PS 1
IC 32 PIN 6 PS 2

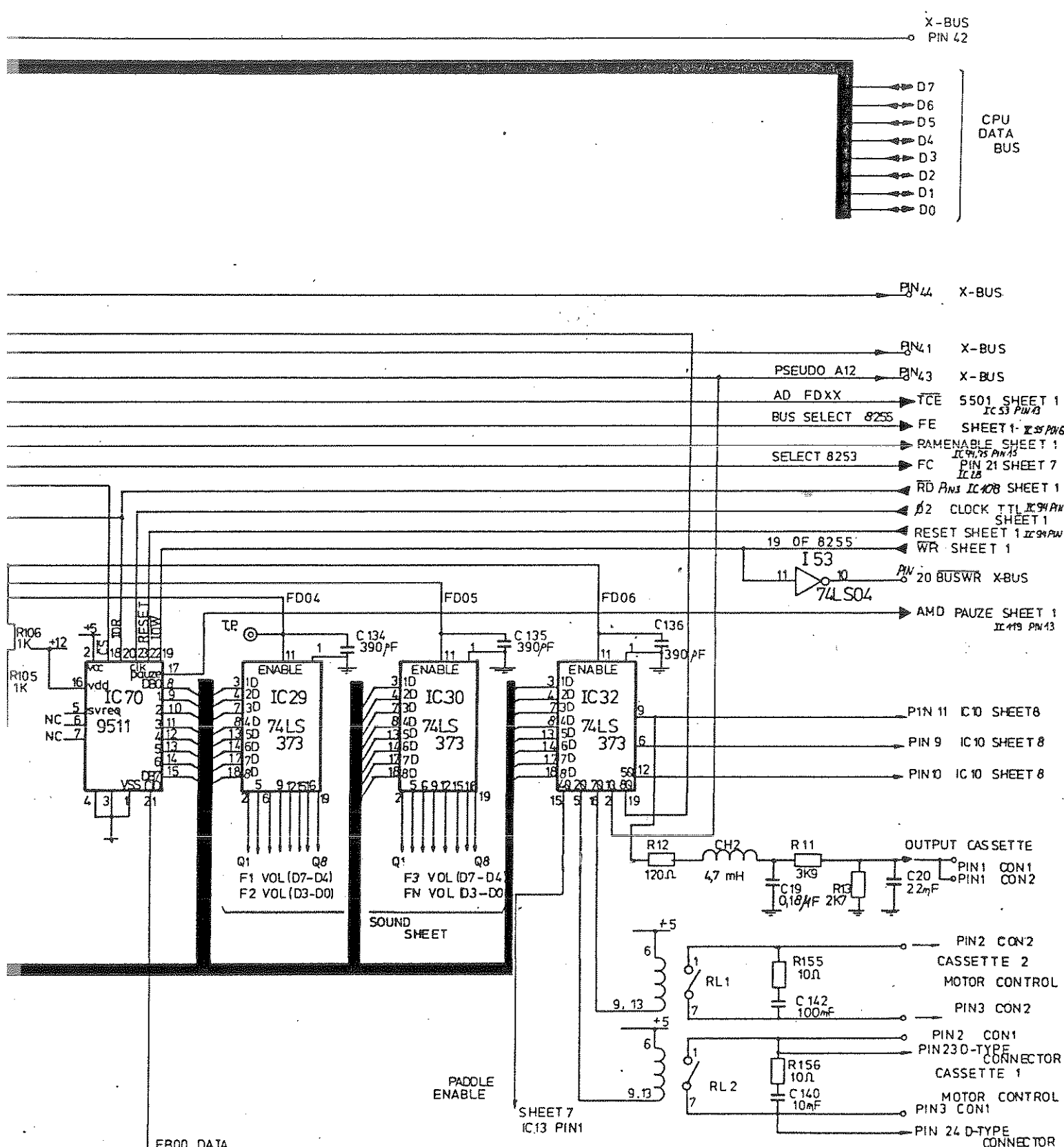
PADDLE TRIG. (SHEET 5)
(IC 52 PIN 5)



REVISIONS					
REV	DESCRIPTION	DATE	DSGN	DRAWN	Checked
0	As change from BEEB To Rev 1	25-10-82		-D-S-	RA
1	As change from Rev 1 to Rev 2	2-11-82			E.C.
2					
3					
4					
5					
6					
7					

INDATA.			
TITLE D.C. PADDLE.			
SHEET OF	SCALE	DRAWING NR	REV
8	11	SHEET 8	27



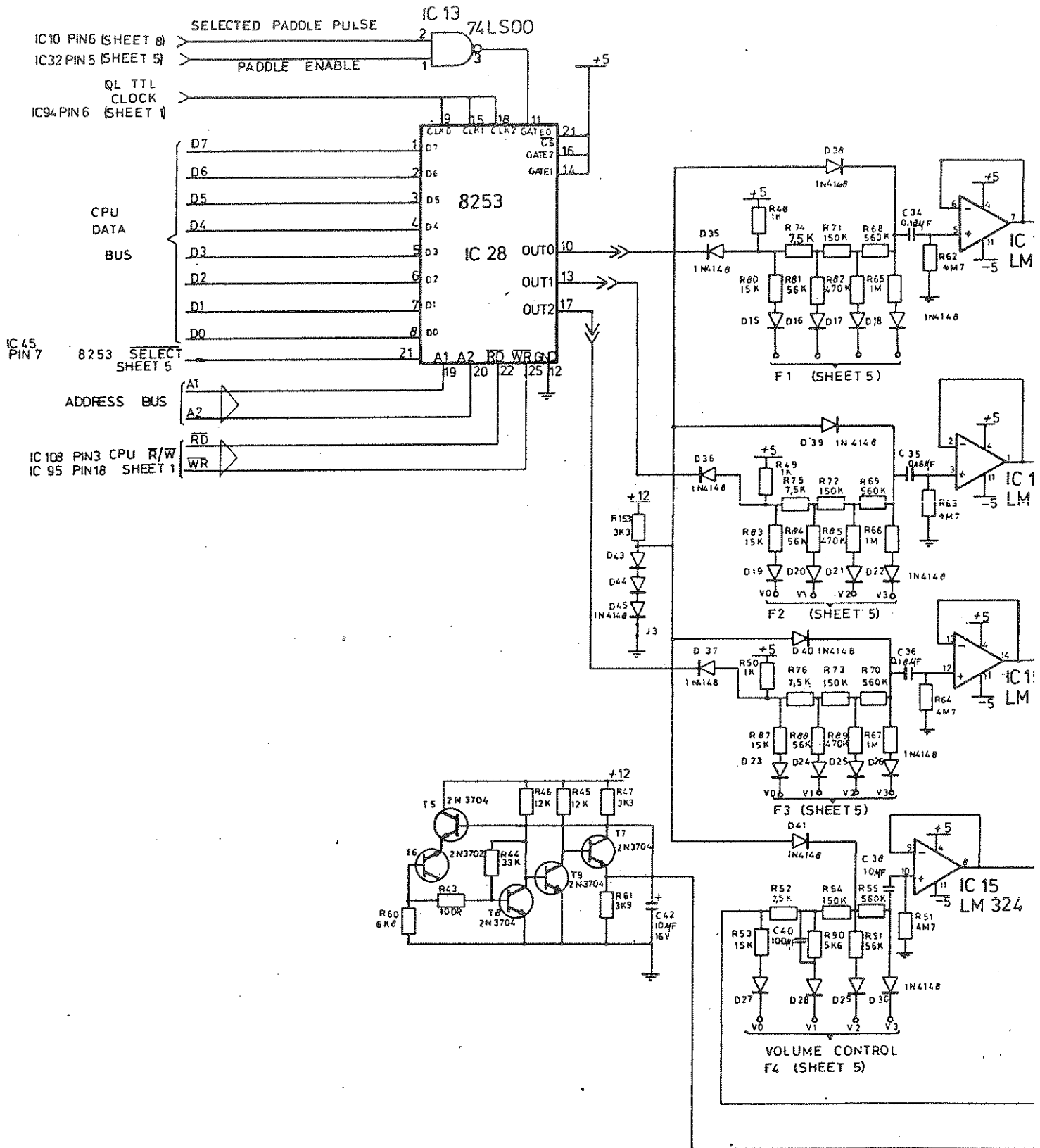


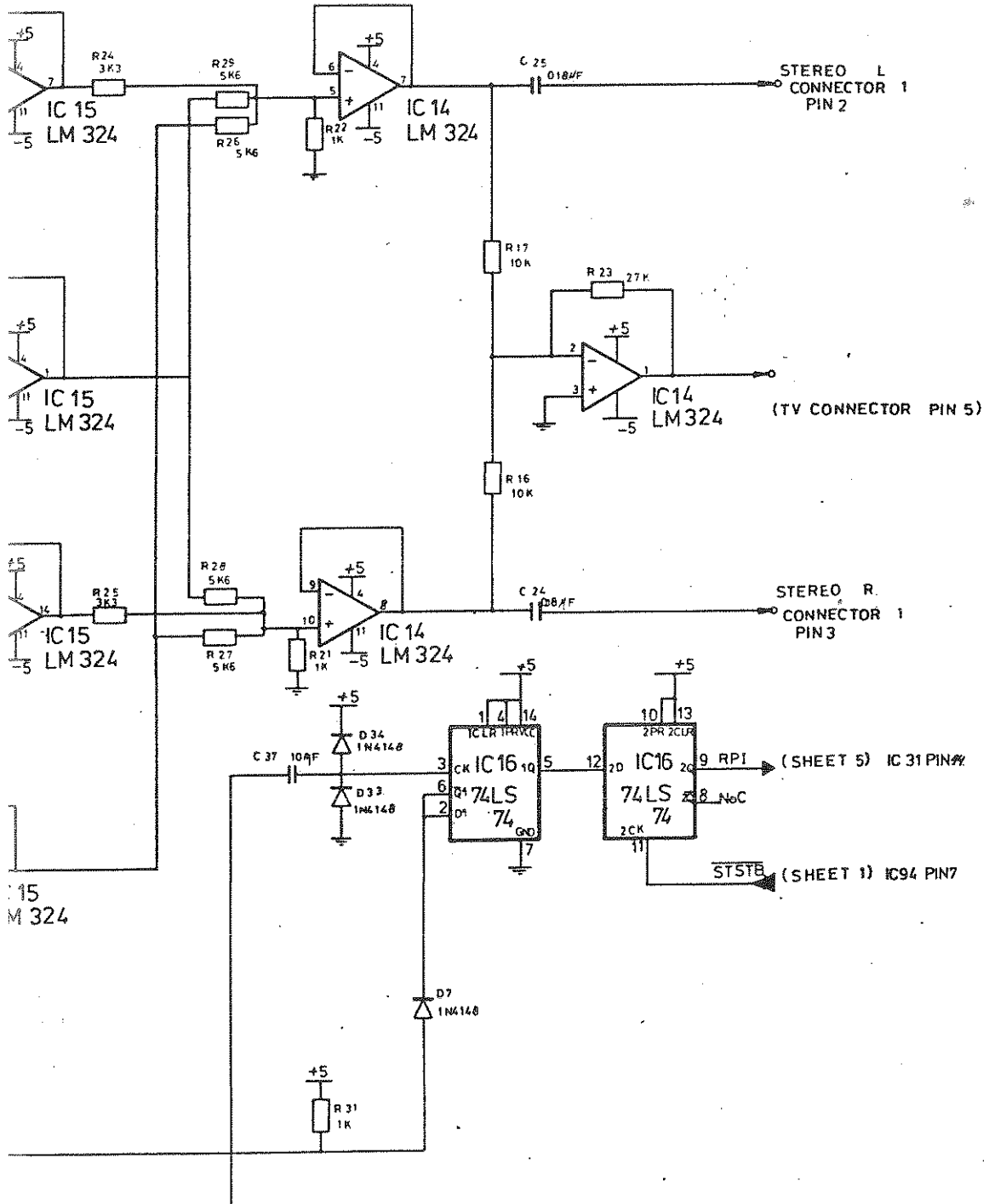
FB00 DATA
FB02 CMD
A1
CPU ADDRESS
BUS

CHANGES REV6 TO
REV 7
PIN1 AND PIN7 FROM
RELAY 2 ARE CONNECTED
TO PIN23 AND PIN26
OF D-TYPE
CONNECTOR

REVISIONS						
REV	DESCRIPTION	DATE	DSGN	DRAWN	Checked	
0	SEE TABLE	25 10 82		-O.S-	R.A.	
1	W. change from Rev 7.6 Rev 7.1 P. 42 RL				E.C.	
2						
3						
4						
5						
6						
7						

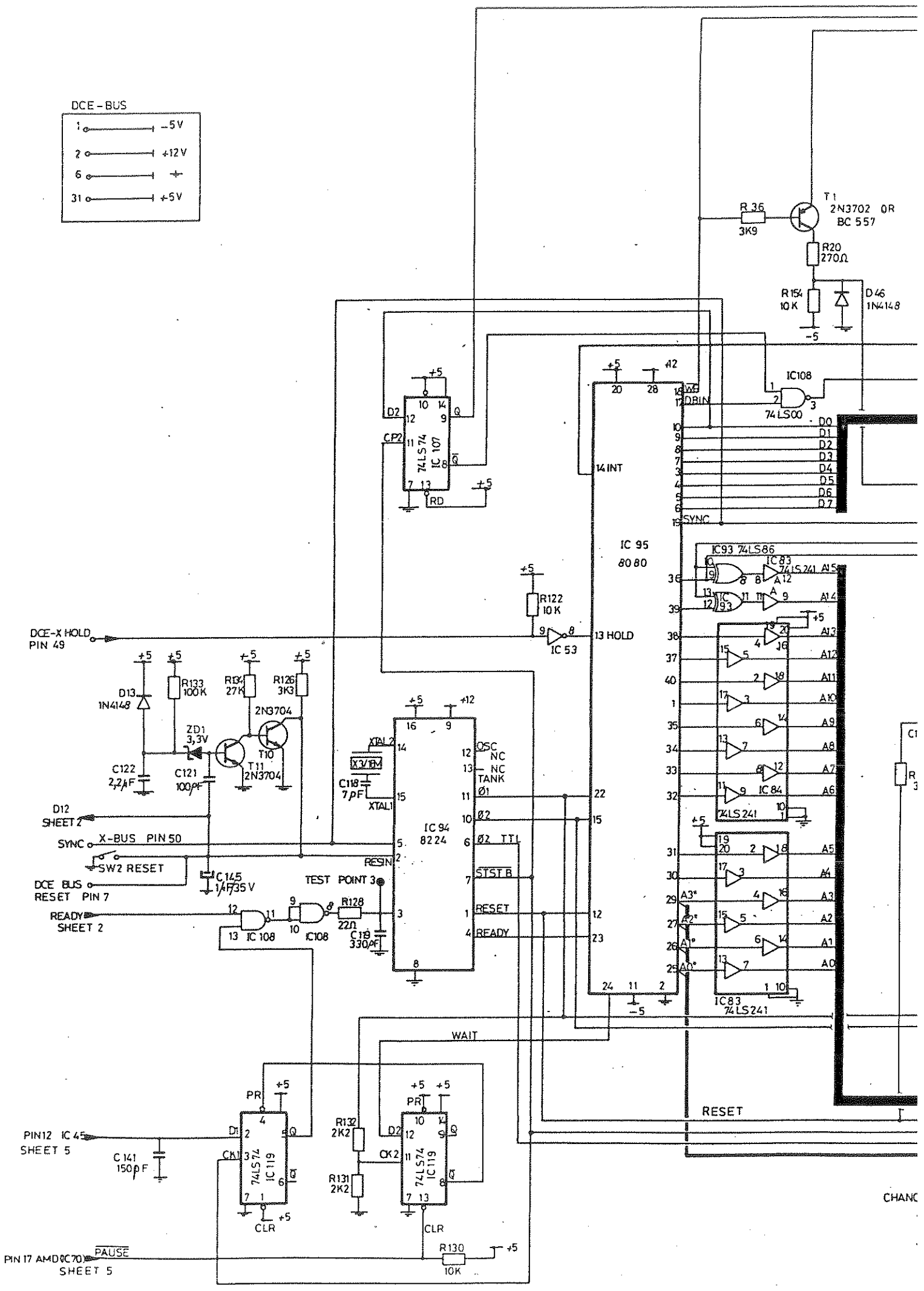
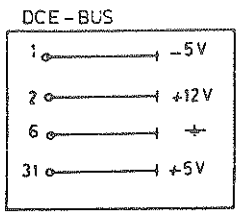
INDATA.
TITLE
D.C./ I-0
SHEET OF 5 11 SCALE DRAWING NR/FE 5 7



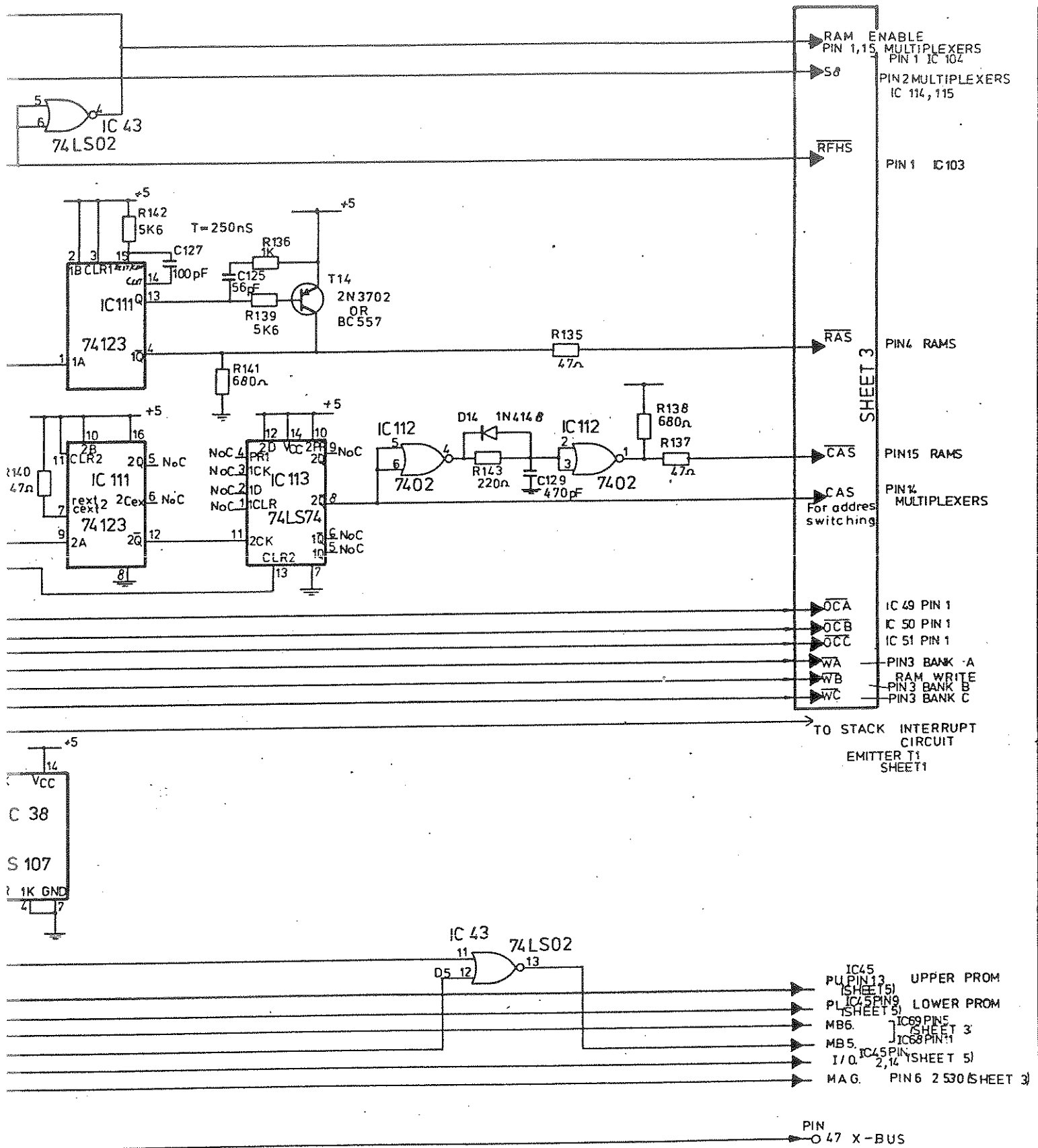


REVISIONS					
REV	DESCRIPTION	DATE	DSGN	Drawn	Checked
0	No change from Rev 0 to Rev 1	25-10-82		O.S.	R.A.
1	No change from Rev 1 to Rev 2	2-11-82			E.C.
2					
3					
4					
5					
6					
7					

INDATA			
TITLE: D.C. SOUND.			
SHEET OF	SCALE	Drawing n°	rev
7 11		SHEET 7	72



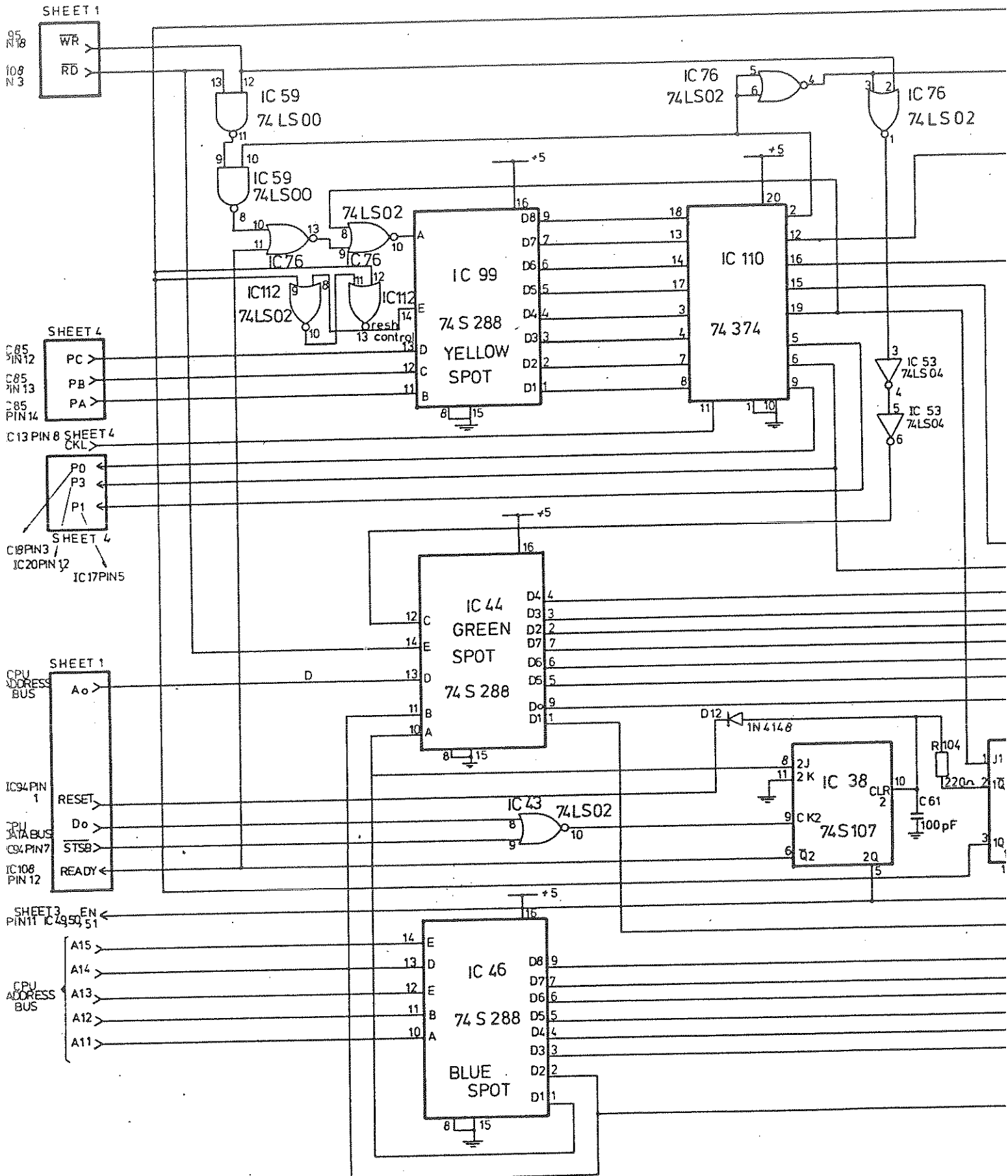
CHANC



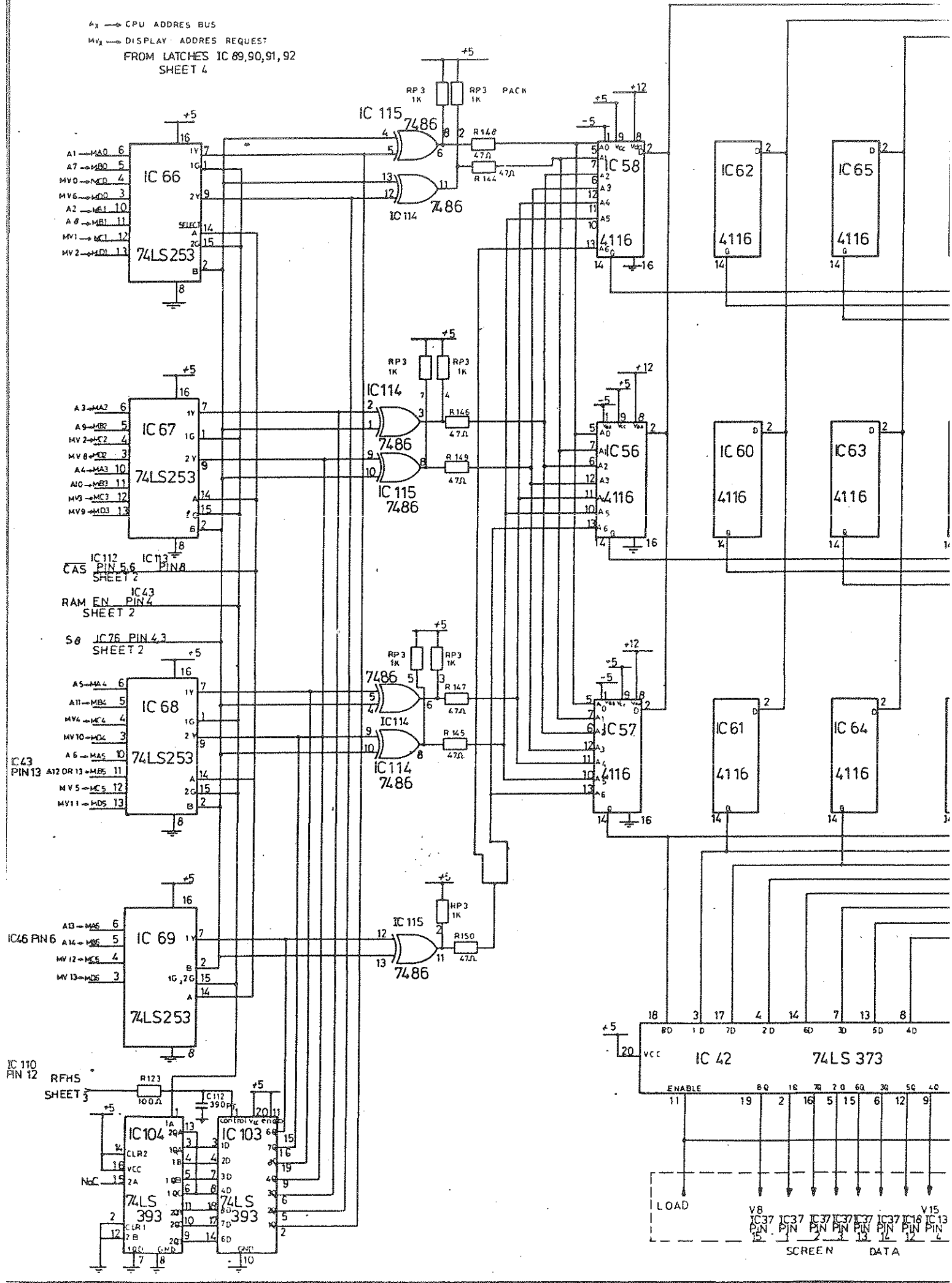
CHANGES REV6-7
 ADDED: 2 INVERTERS
 IC53: PIN 3-4
 IC53: PIN 5-6

REVISIONS					
REV	DESCRIPTION	DATE	DSGN	DRAWN	Checked
0	CHANGE SEE LIST	2510-82		O.S.	RA
1	No change from Rev 0 & Rev 1	2-11-82			F.C.
2					
3					
4					
5					
6					

INDATA			
TITLE: D.C./RAM DRIVE			
Sheet of	11	scale	Drawing no.
2			sheet 2
			rev 74



Ax → CPU ADDRESS BUS
 Mvx → DISPLAY ADDRESS REQUEST
 FROM LATCHES IC 89,90,91, 92
 SHEET 4



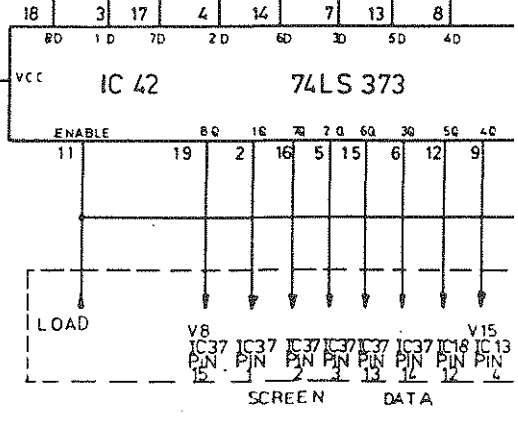
A1 → MA0 6
 A7 → MB0 5
 MV0 → MD0 4
 MV6 → MD3 3
 A2 → MA1 10
 A8 → MB1 11
 MV1 → MC1 12
 MV2 → MD1 13

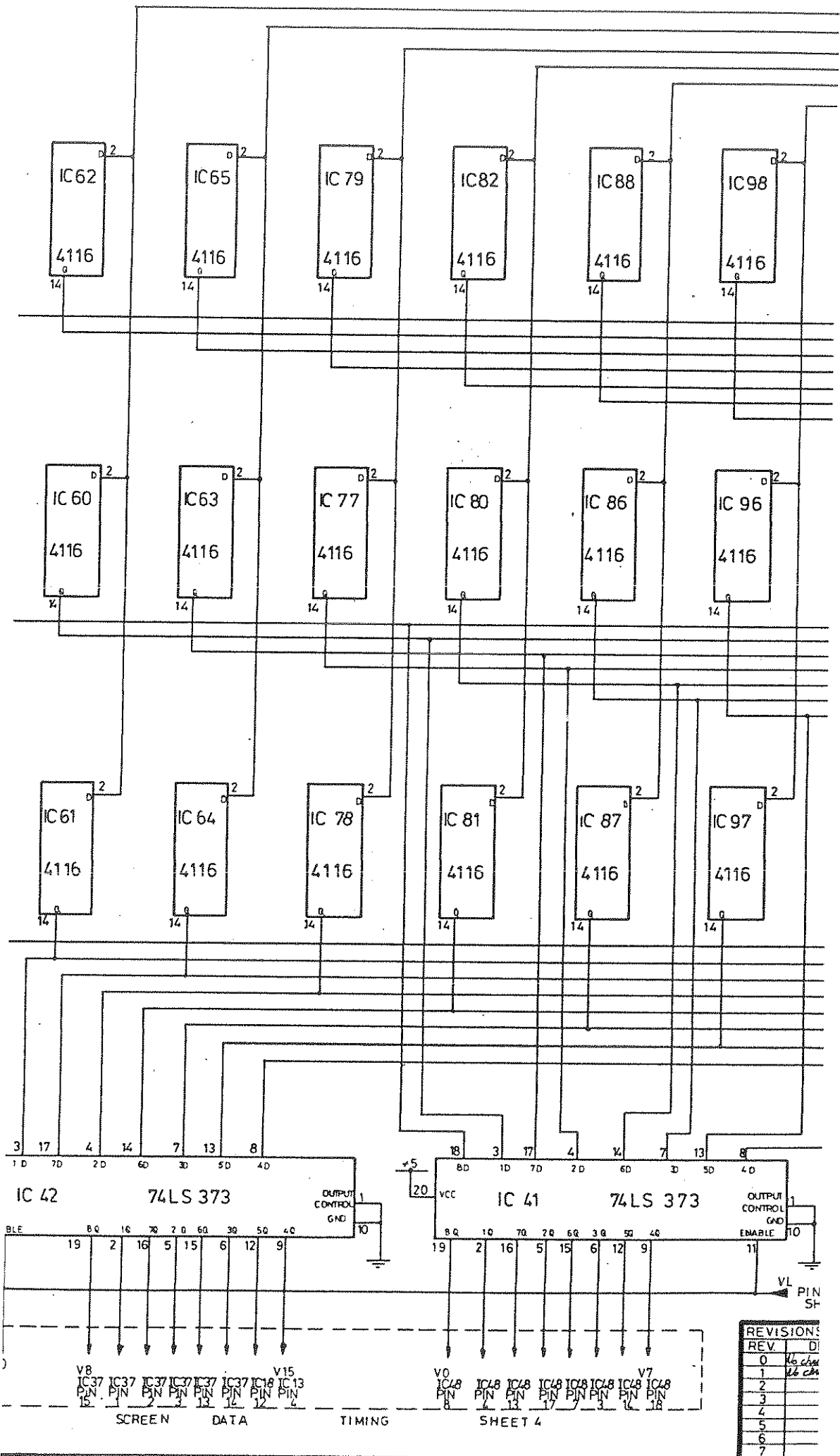
A3 → MA2 6
 A9 → MB2 5
 MV2 → MC2 4
 MV8 → MD2 3
 A4 → MA3 10
 A10 → MB3 11
 MV3 → MC3 12
 MV9 → MD3 13

A5 → MA4 6
 A11 → MB4 5
 MV6 → MD4 4
 MV10 → MD4 3
 A6 → MA5 10
 A12 → MB5 11
 MV5 → MC5 12
 MV11 → MD5 13

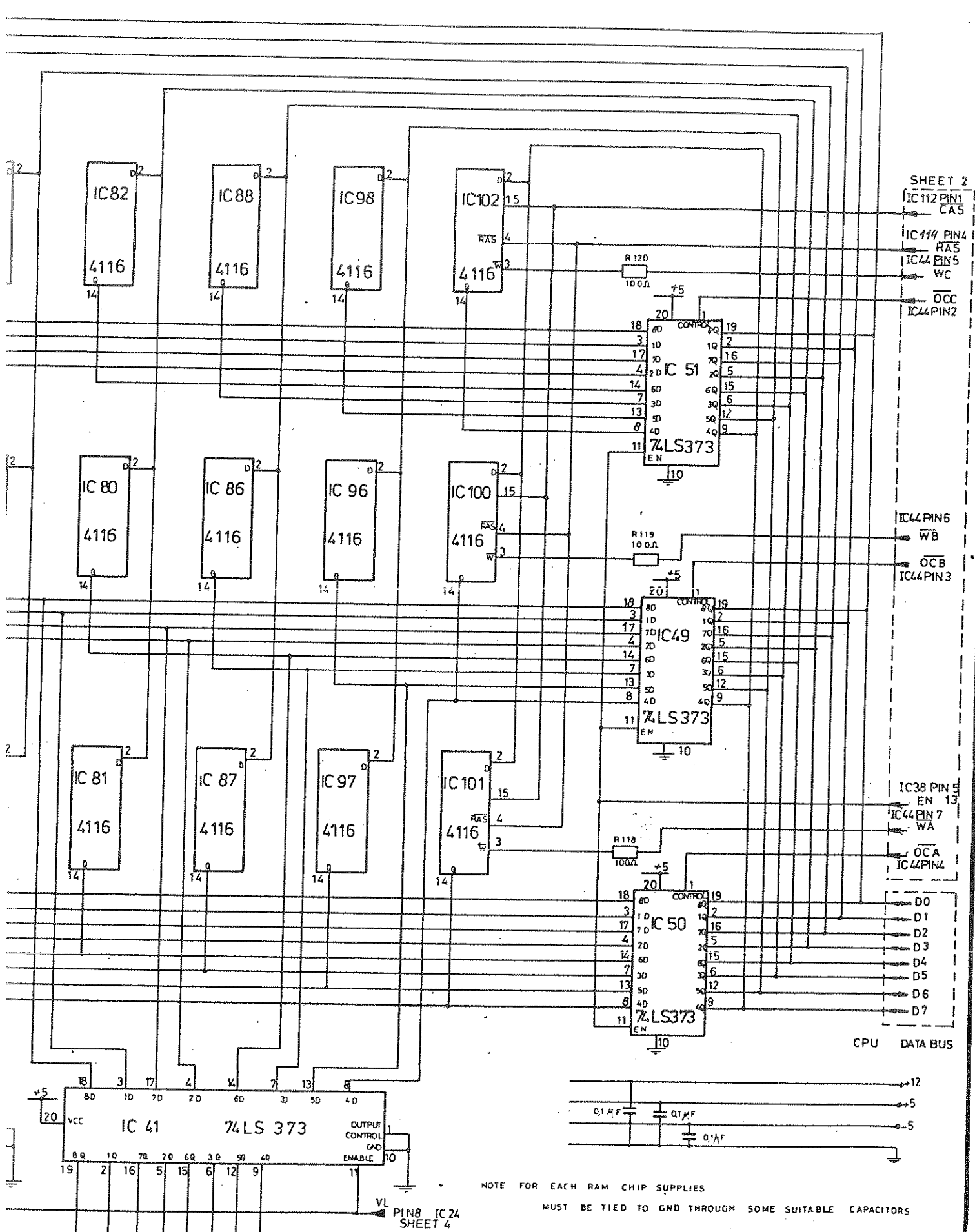
A3 → MA6 6
 A14 → MB6 5
 MV12 → MC6 4
 MV13 → MD6 3

IC 110 PIN 12
 RFHS
 SHEET 3
 R123 100Ω
 C112 390pF
 20uF
 +5V
 IC104
 CLR2
 VCC
 NoC
 74LS393
 CLR1
 100Ω
 74LS393
 CLR
 100Ω
 74LS393
 CLR
 100Ω





REVISIONS	
REV.	DI
0	Rev. 0
1	Rev. 1
2	Rev. 2
3	Rev. 3
4	Rev. 4
5	Rev. 5
6	Rev. 6
7	Rev. 7



SHEET 2
IC112 PIN1
CA5

IC114 PIN4
RAS
IC44 PIN5
WC
OCC
IC44 PIN2

IC44 PIN6
WB
OCB
IC44 PIN3

IC38 PIN5
EN 13
IC44 PIN7
WA
OCA
IC44 PIN4

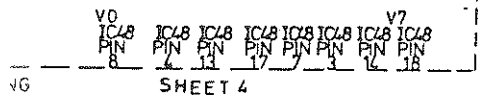
CPU DATA BUS

NOTE FOR EACH RAM CHIP SUPPLIES
MUST BE TIED TO GND THROUGH SOME SUITABLE CAPACITORS

REVISIONS						
REV	DESCRIPTION	DATE	DSGN	DRAWN	Checked	
0	No change from Rev. 0 Rev. 0	11-10-82		-O-S-		
1	16 change from Rev. 0 Rev. 24	8-22-82			EC	
2						
3						
4						
5						
6						
7						

INDATA.

TITLE:
D.C. / RAM.
SHEET OF 3 11 SCALE / Drawing NR. REV SHEET 3 7.4



SHEET 4

PIN8 IC24
SHEET 4

PARTS LIST DESIGNATION	SHEET LOCATION #	PARTS LIST DESIGNATION	SHEET LOCATION #	PARTS LIST DESIGNATION	SHEET LOCATION #	PARTS LIST DESIGNATION	SHEET LOCATION #
PCB 1 Reasonable Connector 2.6	1 A3	IC44 74LS288	2 E6	IC100 RAM	2 F2	D18 1N4148	7 D5 3
Cap 1 Dm 45322	8 A3	IC45 74LS156	5 F6	IC101 RAM	3 F3	D19 "	7 D5 3
Cap 2 "	8 A3	IC46 74LS288	2 E7	IC102 RAM	8 F4	D20 "	7 D5 3
Cap 3 "	8 A4	IC47 74LS85	4 F7	IC103 74LS373	5 F5	D21 "	7 D5 3
Cap 4 "	5 A5	IC48 74LS373	4 F7	IC104 74LS373	4 F5	D22 "	7 D5 3
Cap 5 "	5 A5	IC49 "	5 F2	IC105 "	4 F6	D23 "	7 D5 3
Cap 6 25 Pin D Type	1 A6-7	IC50 "	3 F3	IC106 "	2 F7	D24 "	7 D5 3
Cap 7 34 Pin Flat Carib	1 A9	IC51 "	3 F3	IC107 74LS74	1 F7	D25 "	7 D5 3
Cap 8 20 Pin Double Header	4 10-3	IC52 74LS288	4 F6	IC108 74LS100	1 F7	D26 "	7 D6 3
Cap 9 60 Pin Double Header	1 F8-9	IC53 74LS104	1 F7	IC109 74LS607	1 F7-9	D27 "	7 D6 3
ALC 1 27 Pin AL Connector	1 A7-8	IC54 74LS32	5 F7	IC110 74LS374	2 F6	D28 "	7 D6 3
Cap 2 Push Button Switch	1 10-1	IC55 8255 A	1 F8-9	IC111 74LS23	2 A2	D29 "	7 D6 3
Cap 3 Rocker Switch	1 10-1	IC56 RAM	3 G2	IC112 7402	2 A2	D30 "	7 D6 3
IC 1 74LS00	4 A1	IC57 "	3 G2	IC113 74LS84	2 A3	D31 "	7 D6 3
IC 2 74LS175	4 A1	IC58 "	3 G4	IC114 7486	3 A4	D32 "	7 D6 3
IC 3 74LS74	4 A2	IC59 74LS00	4-2 G2	IC115 "	3 A4	D33 "	7 D6 3
IC 4 74LS373	4 B1	IC60 RAM	3 G2	IC116 "	3 A4	D34 "	7 D6 3
IC 5 74LS288	4 B2	IC61 "	3 G2	IC117 74LS125	1 A6	D35 "	7 D6 3
IC 6 74LS107	4 B2-3	IC62 "	3 G4	IC118 "	1 A7-8	D36 "	7 D6 3
IC 7 556	8 B4	IC63 "	3 H2	IC119 74LS74	1 A8	D37 "	7 D6 3
IC 8 "	8 B4-5	IC64 "	3 H3			D38 "	7 D6 3
IC 9 "	8 B5	IC65 "	3 H3			D39 "	7 D6 3
IC 10 74LS251	8 B6	IC66 74LS253	3 G4-6			D40 "	7 D6 3
IC 11 74LS287	4 B2	IC67 "	3 G4-6			D41 "	7 D6 3
IC 12 74LS193	4 B2	IC68 "	3 G4-6			D42 "	7 D6 3
IC 13 74LS100	4 B2-3	IC69 "	3 G4-6			D43 "	7 D6 3
IC 14 LM324	6-7 B3-4	IC70 9511 (Socket)	5 G4-7	SW2 Push Button Switch	1 L2	D44 "	7 D6 3
IC 15 "	6-7 B4-5	IC71 Rom (Socket)	5 G4-8			D45 "	7 D6 3
IC 16 74LS74	7 B5	IC72 Rom (Socket)	5 G4-8			D46 "	7 D6 3
IC 17 74LS08	4 C1	IC73 Rom (Socket)	5 G4-9			D47 "	7 D6 3
IC 18 74LS74	4 C1	IC74 2711	1 G4-9			D48 "	7 D6 3
IC 19 74LS08	4 C2	IC75 "	1 G4-10			D49 "	7 D6 3
IC 20 74LS00	4 C2-1	IC76 74LS02	2 H2			D50 "	7 D6 3
IC 21 74LS04	4 D2	IC77 RAM	3 H2			D51 "	7 D6 3
IC 22 74LS175	4 D3	IC78 "	3 H3			D52 "	7 D6 3
IC 23 74LS165	4 D2-2	IC79 "	3 H4			D53 "	7 D6 3
IC 24 74LS02	4 D3	IC80 "	3 I2			D54 "	7 D6 3
IC 25 ZMA 1347	4 D2	IC81 "	3 I3			D55 "	7 D6 3
IC 26 74LS257	4 D3	IC82 "	3 I4			D56 "	7 D6 3
IC 27 74LS257	4 D4	IC83 74LS247	1 H1-8			D57 "	7 D6 3
IC 28 8253	7 D4-5	IC84 "	1 H1-9			D58 "	7 D6 3
IC 29 74LS373	6 D5-5	IC85 74LS161	4 I2			D59 "	7 D6 3
IC 30 "	5 D6-5	IC86 RAM	3 I2			D60 "	7 D6 3
IC 31 "	5 D6-6	IC87 RAM	3 I3			D61 "	7 D6 3
IC 32 "	5 D6-6	IC88 RAM	3 I4			D62 "	7 D6 3
IC 33 59 3524	10 D8-8	IC89 74LS161	4 I5-6			D63 "	7 D6 3
IC 34 74LS161	4 E1	IC90 "	4 I6			D64 "	7 D6 3
IC 35 PCCN/A	4 E1-2	IC91 "	4 I6			D65 "	7 D6 3
IC 36 74LS75	4 E2	IC92 "	4 I7			D66 "	7 D6 3
IC 37 74LS170	4 E3	IC93 74LS86	1 I7			D67 "	7 D6 3
IC 38 74LS107	2 E4	IC94 B224	1 I8			D68 "	7 D6 3
IC 39 74LS165	4 E2	IC95 808A	1 I8-9			D69 "	7 D6 3
IC 40 "	4 E3	IC96 RAM	3 I7-2			D70 "	7 D6 3
IC 41 74LS373	3 F2	IC97 "	3 I7-3			D71 "	7 D6 3
IC 42 "	3 F3	IC98 "	3 I7-4			D72 "	7 D6 3
IC 43 74LS02	2 F4	IC99 74LS288	2 F2			D73 "	7 D6 3

PARTS LIST DESIGNATION	SHEET LOCATION #	PARTS LIST DESIGNATION	SHEET LOCATION #	PARTS LIST DESIGNATION	SHEET LOCATION #	PARTS LIST DESIGNATION	SHEET LOCATION #
C67 100PF	D E2 1	C113 100PF	D I7 1	R2 10K 1/4W 5% R	4 A2 4	R59 2K2	5 C6 4
C68 100PF	4 E2 1	C114 470PF	D I7 2	R3 390R	4 A2 4	R60 6K8	7 C4 4
C69 100PF	D E2 1	C115 100PF	D I7 3	R4 16K	9 A3 4	R61 3K9	7 C4 4
C70 100PF	D E2 1	C116 100PF	D I7 1	R5 15K	8 A4 4	R62 4M7	7 C4 4
C71 100PF	2 E4 2	C117 100PF	D I7 2	R6 15K	8 A4 4	R63 4M7	7 C4 4
C72 100PF	D F3 1	C118 2P2F	7 F8 3	R7 15K	9 A4 4	R64 4M7	7 C4 4
C73 100PF	D F5 1	C119 390PF	7 I7 2	R8 15K	9 A4 4	R65 1M	7 C4 4
C74 100PF	D F6 1	C120 180PF	4 D1 2	R9 15K	9 A4 4	R66 1M	7 C4 4
C75 100PF	D F6 1	C121 100PF	7 I7 1	R10 3K9	5 A6 4	R67 1M	7 C4 4
C76 100PF	D F7 1	C122 2M2F	7 I7 1	R11 150R	5 A6 4	R68 560K	7 C4 4
C77 100PF	D F9 1	C123 0.1F	2 I7 1	R12 2K7	5 A6 4	R69 560K	7 C4 4
C78 100PF	D F3 1	C124 100PF	2 I7 2	R13 220R	7 R4	R70 560K	7 C4 4
C79 100PF	D G2 1	C125 56PF	2 K2 2	R14 100R	9 B2 4	R71 150K	7 C4 4
C80 100PF	D G2 2	C126 100PF	D K1 1	R15 10K	7 B3 4	R72 150K	7 C4 4
C81 100PF	D G3 2	C127 100PF	2 K2 2	R16 10K	7 B3 4	R73 150K	7 C4 4
C82 100PF	D G4 2	C128 100PF	D K2 1	R17 3K3	5 B6 4	R74 7K5	7 D4 4
C83 100PF	D G4 2	C129 470PF	2 K2 2	R18 56K	5 B6 4	R75 7K5	7 D4 4
C84 100PF	D G4 2	C130 100PF	D K5 1	R19 270R	1 B7 4	R76 7K5	7 D5 4
C85 100PF	D G4 2	C131 0.1F	D K5 2	R20 1K	7 B3 4	R77 3K3	5 A5 4
C86 100PF	D G4 2	C132 100PF	D K7 1	R21 1K	7 B3 4	R78 3K3	5 A5 4
C87 100PF	D G4 2	C133 1AS Resistor	4 D3 5	R22 1K	7 B4 4	R79 10K	5 D5 4
C88 100PF	D H2 2	C134 390PF	5 E5 2	R23 27K	7 B4 4	R80 15K	7 C5 4
C89 100PF	D H3 2	C135 390PF	5 E6 2	R24 3K3	7 B4 4	R81 56K	7 C5 4
C90 100PF	D H4 2	C136 390PF	5 E6 2	R25 3K3	7 B4 4	R82 470K	7 C5 4
C91 100PF	D H4 2	C137 150PF	10 D5 2	R26 5K6	7 B4 4	R83 15K	7 C5 4
C92 100PF	D H2 2	C138 56PF	5 C4 1	R27 5K6	7 B4 4	R84 56K	7 C5 4
C93 100PF	D H3 2	C139 100PF	5 D6 1	R28 5K6	7 B5 4	R85 470K	7 C5 4
C94 100PF	D H4 2	C140 100PF	7 H5 2	R29 1M5	5 B5 4	R86 10K	5 C5 4
C95 100PF	D H4 2	C141 100PF	5 C6 1	R30 1K	7 B6 4	R87 16K	7 C5 4
C96 100PF	D I2 2	C142 100PF	5 C6 1			R88 64K	7 C5 4
C97 100PF	D I3 2	C143 70 C150 180PF	5 F6 1			R89 470K	7 C5 4
C98 100PF	D I4 2					R90 56K	7 C6 4
C99 100PF	D I4 2					R91 470K	7 C6 4
C100 100PF	D I4 2					R92 270K	5 C5 4
C101 100PF	D I4 2					R93 270K	5 C5 4
C102 100PF	D I4 2					R94 100R	4 D1 4
C103 100PF	D I4 2					R95 22R 1/2 Watt	10 D4 5
C104 100PF	D I4 2					R96 1K	10 D7 4
C105 100PF	D I4 2					R97 1K	10 D7 4
C106 100PF	D I4 2					R98 5K6	10 D7 4
C107 100PF	D I4 2					R99 5K6	10 D7 4
C108 100PF	D I4 2					R100 5K6	10 D7 4
C109 100PF	D I4 2					R101 5K6	10 E7 4
C110 100PF	D I4 2					R102 3K9	10 E7 4
C111 100PF	D I4 2					R103 33K	10 E7 4
C112 100PF	D I4 2					R104 33K	10 E7 4
C113 100PF	D I4 2					R105 33K	10 E7 4
C114 100PF	D I4 2					R106 1K	5 E1 4
C115 100PF	D I4 2					R107 1K	5 E1 4
C116 100PF	D I4 2					R108 1K	5 E1 4
C117 100PF	D I4 2					R109 270K	1 E9 4
C118 100PF	D I4 2					R110 270K	1 E9 4
C119 100PF	D I4 2					R111 3K3	1 F10 4
C120 100PF	D I4 2					R112 3K3	2 F10 4