

**MT-80Z  
(FOX)  
SCHEMATIC  
and  
BOM**

80-01-0444  
12/87



**E&L Instruments**

An Interplex Electronics Company  
70 Fulton Terrace, P.O. Box 1942  
New Haven, Connecticut 06509  
(203) 624-3103 • TWX 710 465-1227

All rights reserved. No Part of this book shall be reproduced, stored in a retrieval system, or transmitted by any means, electronic, mechanical, photocopying recording, or otherwise, without written permission from the publisher. No patent liability is assumed with respect to the use of the information contained herein. While every precaution has been taken in the preparation of this book, the publisher assumes no responsibility for errors or omissions. Neither is any liability assumed for damages resulting from the use of the information contained herein.

By



**E&L Instruments**

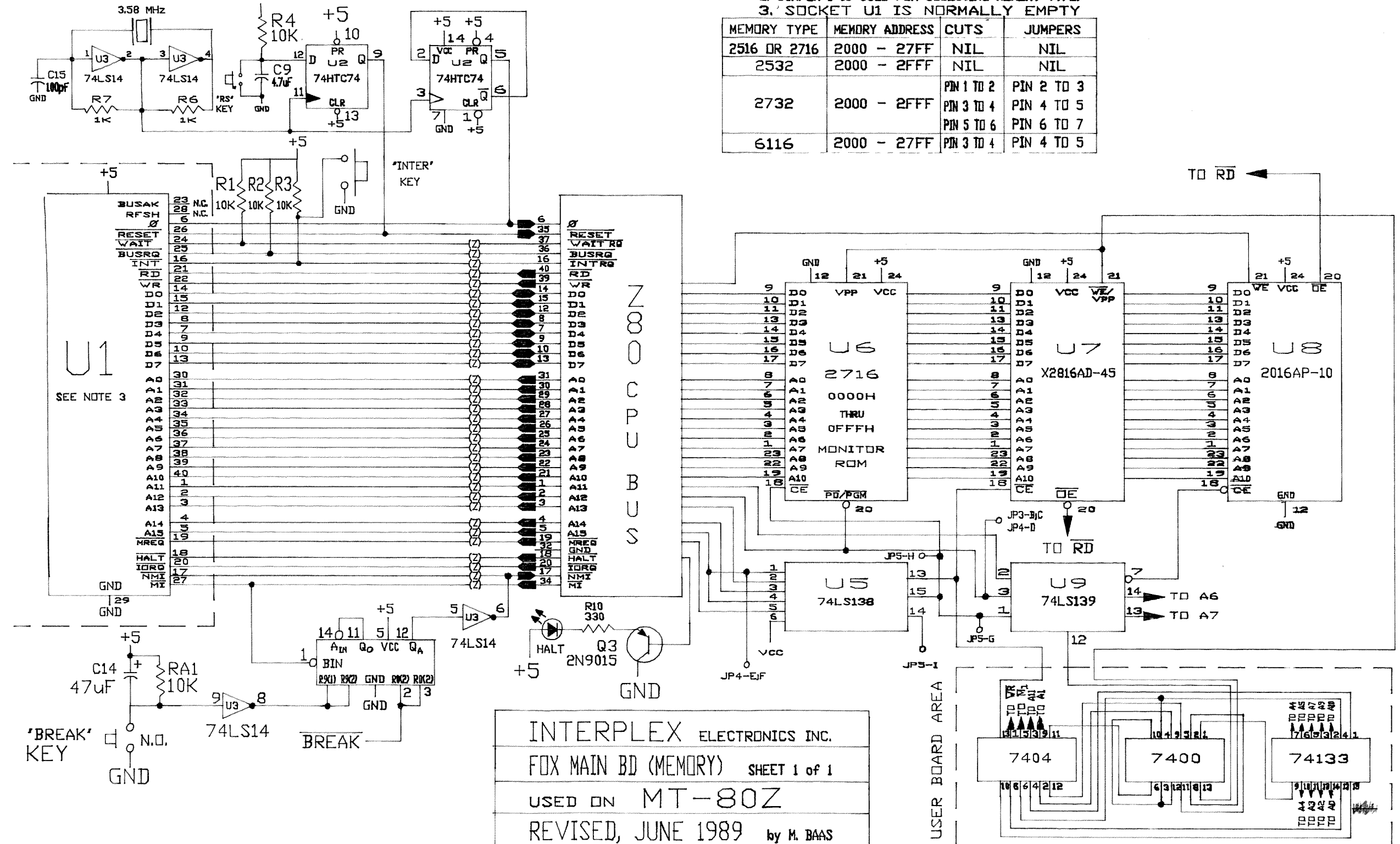
An Interplex Electronics Company  
70 Fulton Terrace, P.O. Box 1942  
New Haven, Connecticut 06509  
(203) 624-3103 • TWX 710 465-1227

## TABLE OF CONTENTS

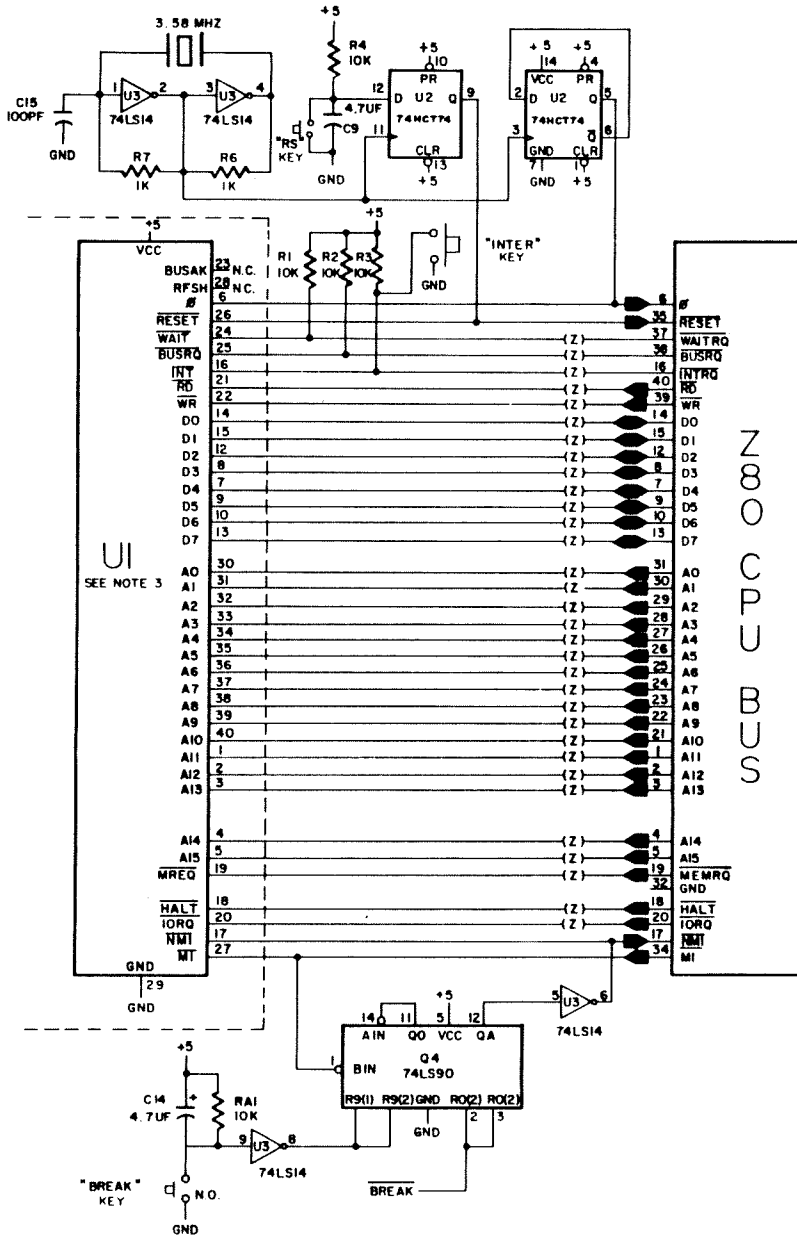
Schematic	Fox Main Bd (Memory)	Pg. 1
Schematic	Fox Main Bd (Keypad & Display)	Pg. 2
Schematic	Fox Main Bd (CTC) (PIO)	Pg. 3
Schematic	Fox Expansion Bd (Z80 & Buffer)	Pg. 4
Schematic	Fox Expansion Bd (I/O)	Pg. 5
Schematics	Fox Expansion Bd (Power Supply W/Regulated Power Adapters)	Pg. 6
	Fox Expansion Bd (Power Supply W/Heatsink & Unregulated Power Adapters)	Pg. 6
BOM	115 Volt	Pg. 7

NOTE:  
 1. U7 IS OPTIONAL. IT MAY BE 2516, 2716, ETC.  
 2. JUMPER 1 IS USED FOR SELECTING MEMORY TYPE.  
 3. SOCKET U1 IS NORMALLY EMPTY

MEMORY TYPE	MEMORY ADDRESS	CUTS	JUMPERS
2516 OR 2716	2000 - 27FF	NIL	NIL
2532	2000 - 2FFF	NIL	NIL
2732	2000 - 2FFF	PIN 1 TO 2 PIN 3 TO 4 PIN 5 TO 6	PIN 2 TO 3 PIN 4 TO 5 PIN 6 TO 7
6116	2000 - 27FF	PIN 3 TO 4	PIN 4 TO 5



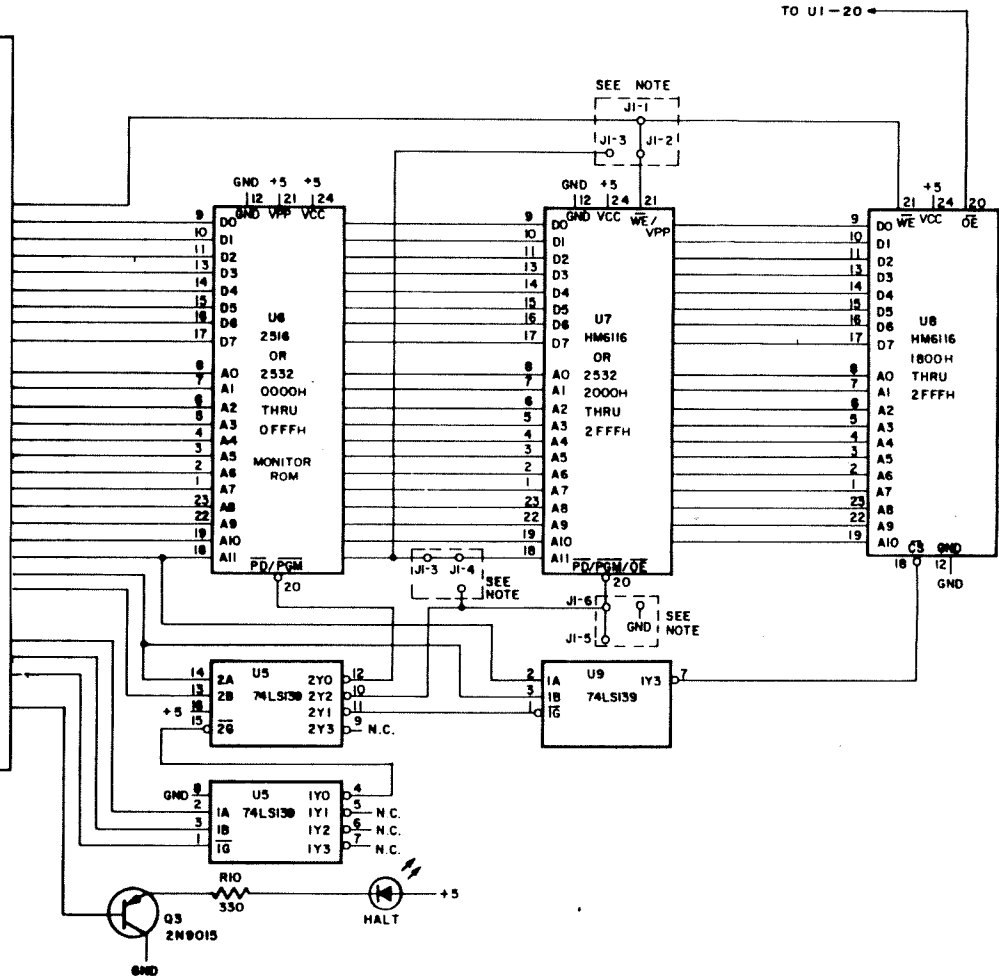
INTERPLEX ELECTRONICS INC.  
 FOX MAIN BD (MEMORY) SHEET 1 of 1  
 USED ON MT-80Z  
 REVISED, JUNE 1989 by M. BAAS



NOTE:

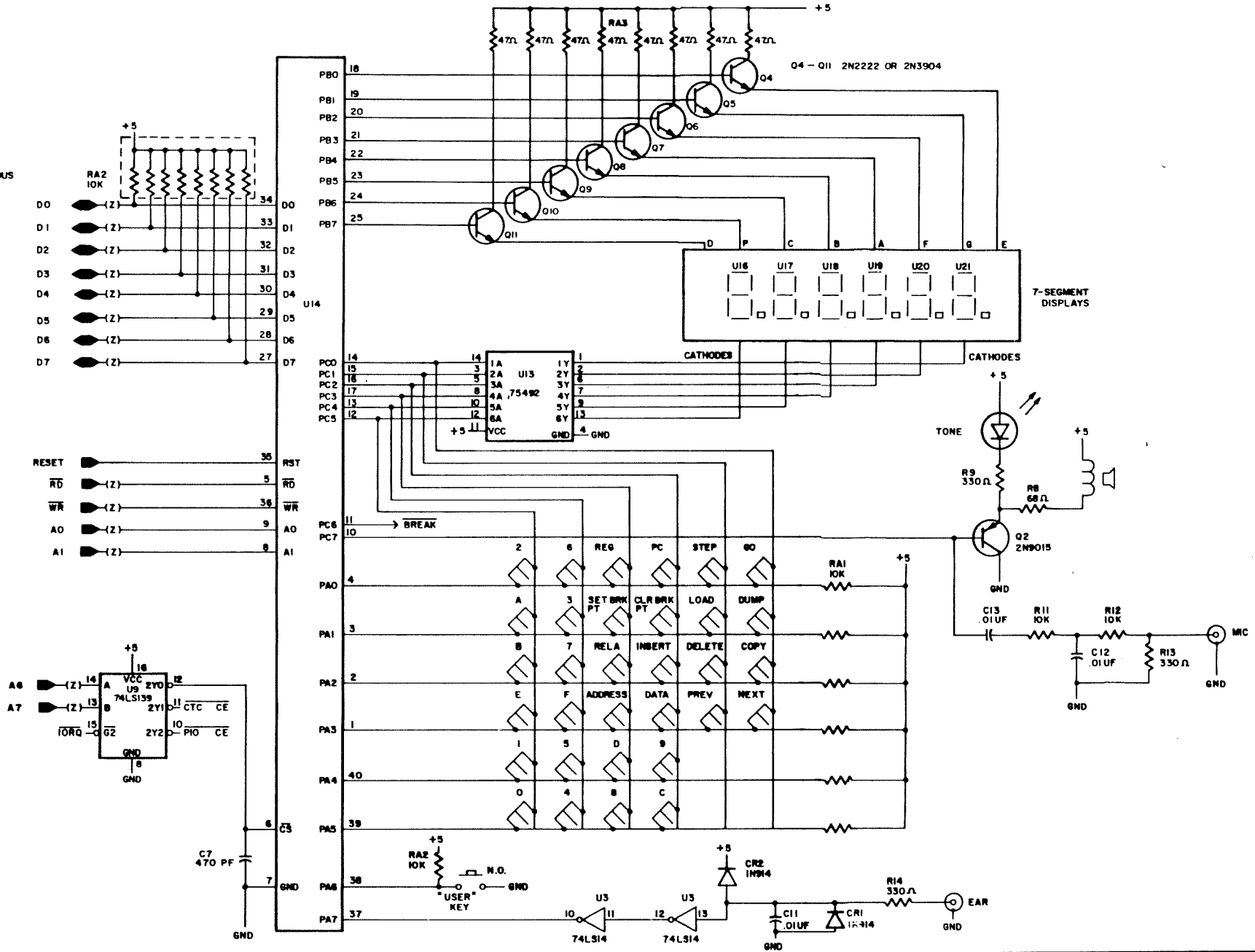
1. U7 IS OPTIONAL, IT MAY BE 2516, 2716, 2532, 2732, OR HM616
2. JUMPER 1 IS USED FOR SELECTING CERTAIN MEMORY TYPE.
3. SOCKET U1 IS NORMALLY EMPTY

MEMORY TYPE	MEMORY ADDRESS	CUTS	JUMPERS
2516 OR 2716	2000 - 27FF	NIL	NIL
2532	2000 - 2FFF	NIL	NIL
2732	2000 - 2FFF	PIN102	PIN 2 TO 3 PIN 4 TO 5 PIN 6 TO 7
6116	2000 - 27FF	PIN304	PIN 4 TO 5

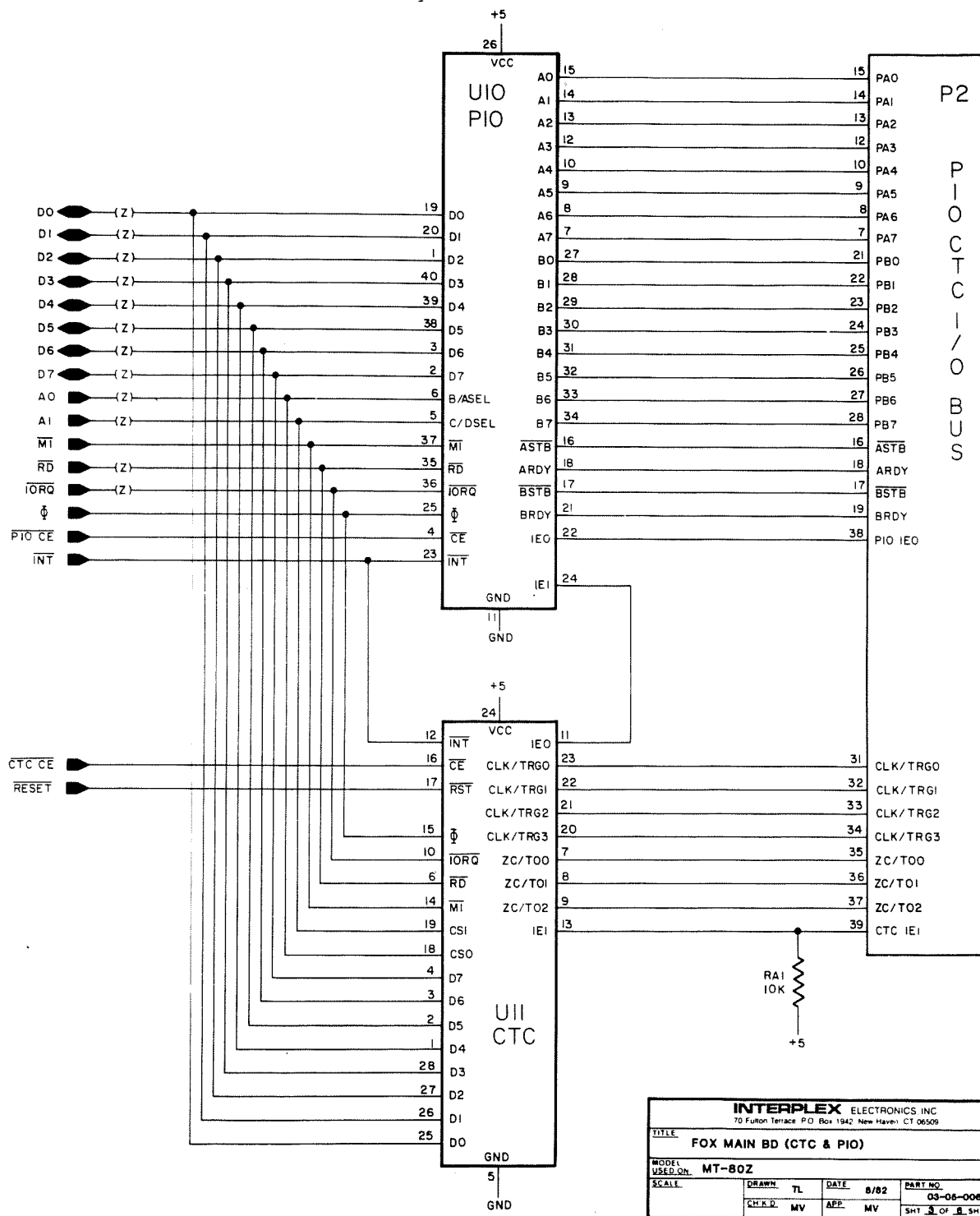


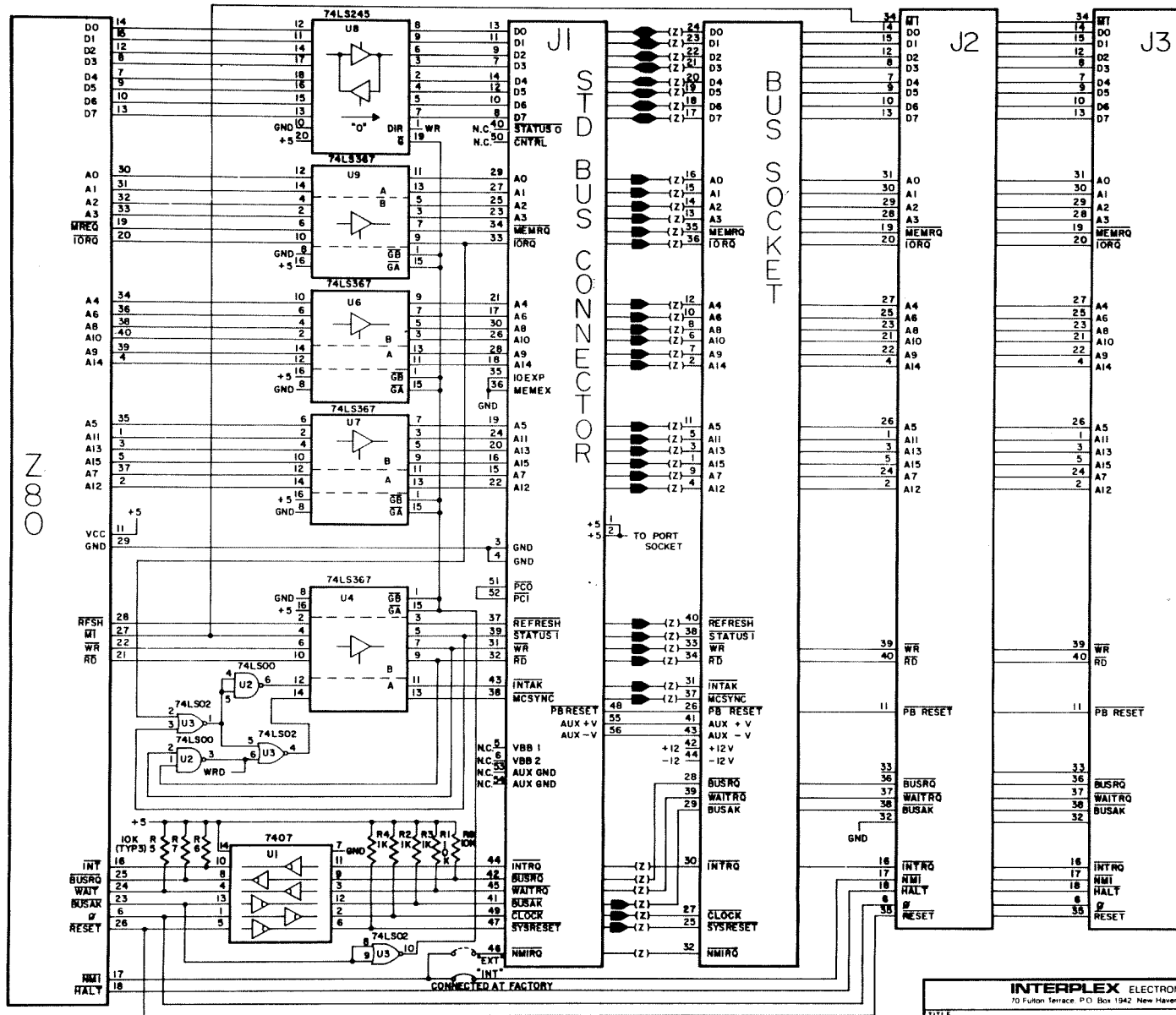
INTERPLEX ELECTRONICS INC 70 Fulton Terrace, P.O. Box 1942, New Haven, CT 06509					
TITLE FOX MAIN BD (MEMORY)					
MODEL USED ON: MT-80Z					
SCALE:	DRWNL:	TL:	DATE:	8/82	PART NO.
	CHL.R.D.	MV	REP.	MV	03-08-0088
					SHT 1 OF 8 SHOTS
					REV B

Z80 CPU BUS



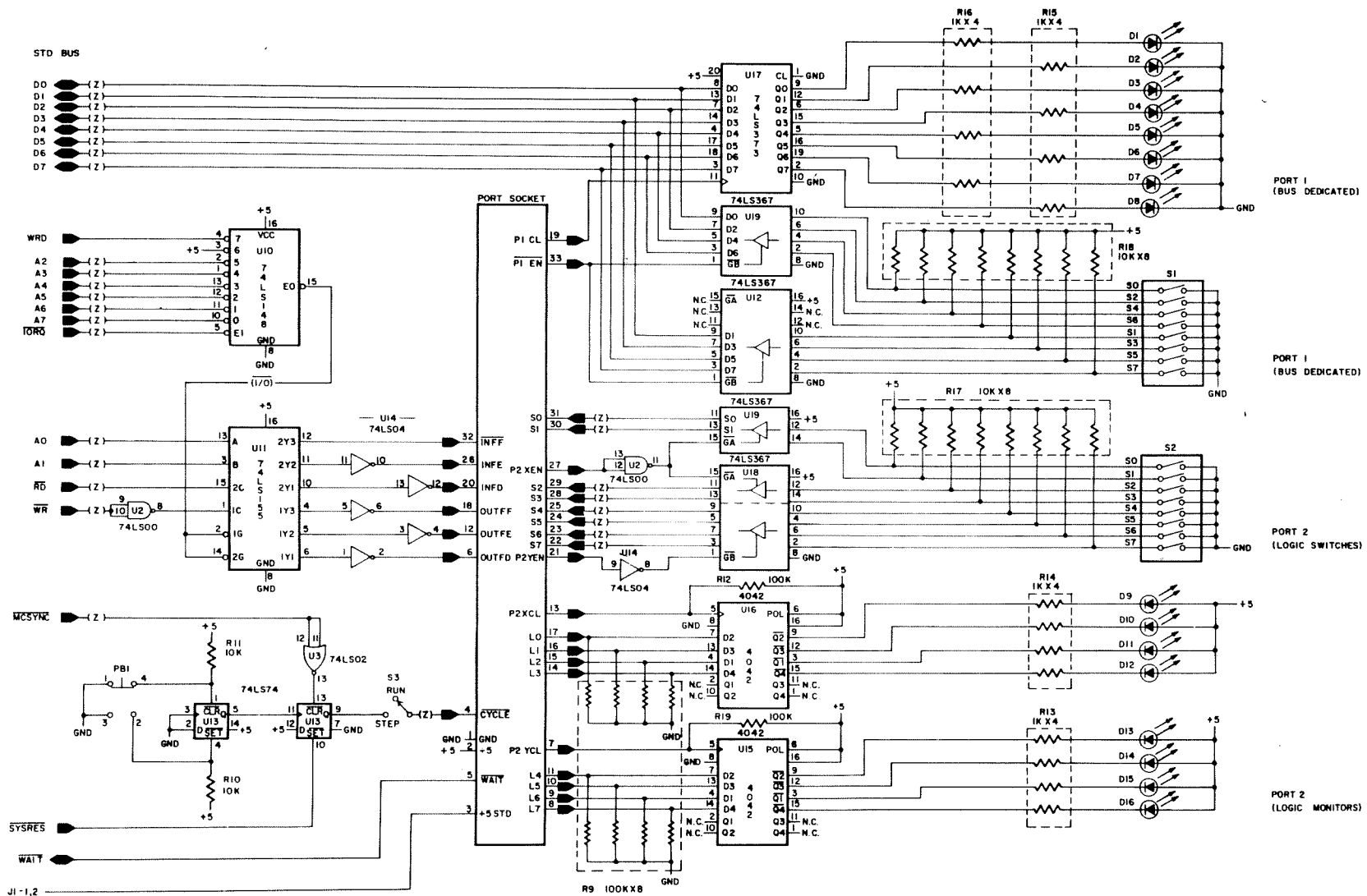
<b>INTERPLEX ELECTRONICS, INC.</b> 70 Fulton Terrace, P.O. Box 1942, New Haven, CT 06509					
TITLE <b>FOX MAIN BD (KEYPAD &amp; DISPLAY)</b>					
MODEL USED ON: MT-80Z					
SCALE:	DRWEN	TL	DATE	PART NO.	REV.
	CHLD.	MV	APP. MV	03-05-0066	B
				SHT 2 OF 8 SHTS	





<b>INTERPLEX ELECTRONICS, INC</b> 70 Fulton Terrace, P.O. Box 1942, New Haven, CT 06509						
<b>TITLE</b> FOX EXPANSION BD (Z80 & BUFFER)						
<b>MODEL USED ON</b> MT-80Z						
SCALE	DRAWN	TL	DATE	8/82	PART NO.	REV
	CHK'D	MV	APP.	MV	00-06-0065	B
					SHT. 1 OF 1 SHOTS	

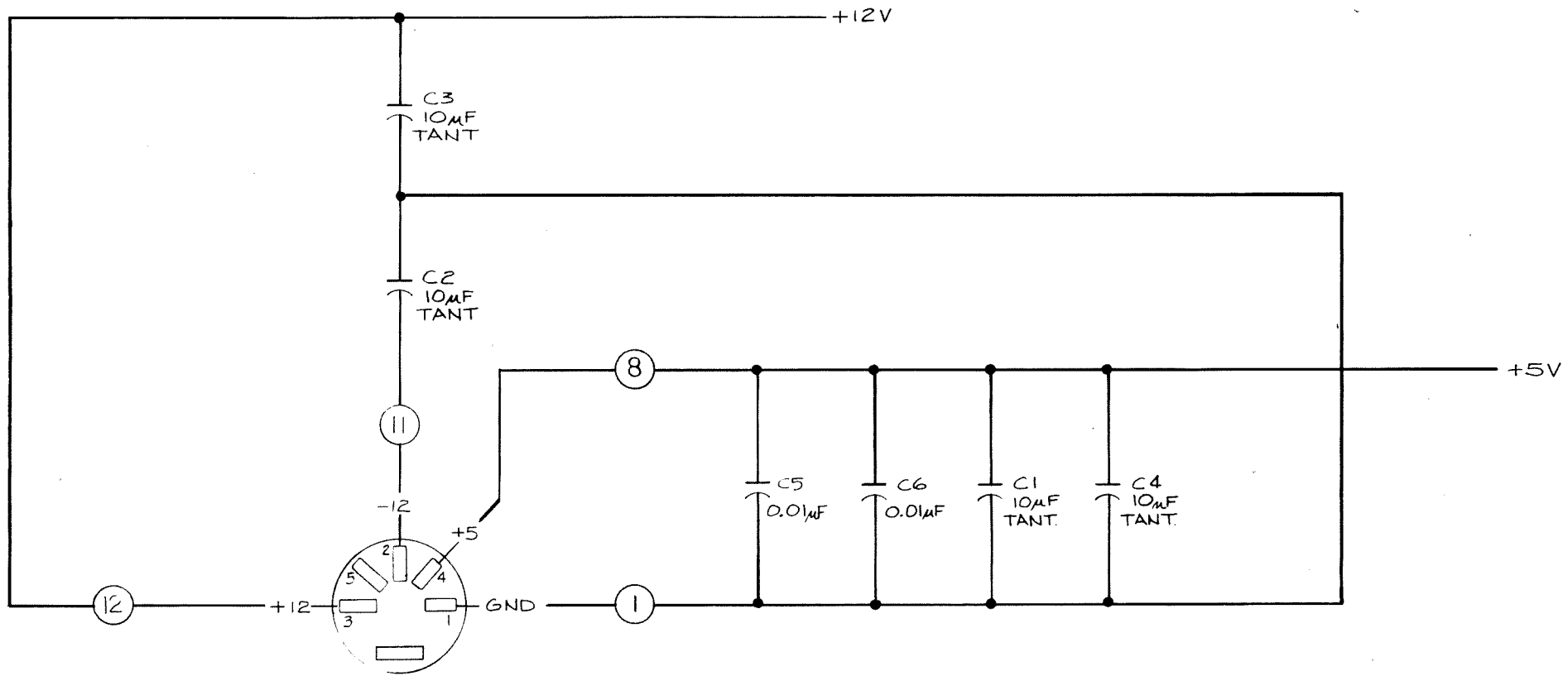




5

<b>INTERPLEX ELECTRONICS INC</b> 70 Fulton Terrace P.O. Box 1942 New Haven, CT 06509						
<b>FOX EXPANSION BD (I/O)</b>						
MODEL USED: <b>MT-80Z</b>						
SCALE:	DRAWN:	TL:	DATE:	8/82	PART NO:	REV:
	CHK.R:	MV	ADP:	MV	03-06-0085	B
					SHT	OF 3 SHTS

9



POWER CONNECTOR  
5 PIN DIN PANEL MT.  
REAR VIEW

MT-80Z POWER SUPPLY  
FOX  
BOM 341-0080 exp 3-7-85 700-014d

<b>INTERPLEX</b> ELECTRONICS INC. 70 Fulton Terrace P.O. Box 1942 New Haven, CT 06509					
TITLE <b>FOX POWER SUPPLY</b>					
MODEL USED ON <b>MT-80Z</b>					
SCALE	DRAWN	TL	DATE	8/82	PART NO.
	CHK'D	MV	APP	MV	03-06-0086
					REV B
					SHT 8 OF 8 SHTS

12/09/87

E &amp; L INSTRUMENTS / GLOBAL SPECIALTIES

## BILL OF MATERIAL LISTING

BOM # 341-0080

THE FOX---MT-80Z

LINE	COMPONENT	DESCRIPTION	QTY	LVLI
1	17-01-0010	BOM REV K		1
2	02-05-0490	FOX EXPNSN BD ASS'Y		1
3	95-01-0211	FOX EXPNSN PC BD R/D	1	2
4	44-01-0074	SN74LSJ0	1	2
5	44-01-0091	SN74LS155	1	2
6	44-01-0097	74LS367	7	2
7	44-01-0059	RCA CD4042AE	2	2
8	44-01-0262	SN74LS148	1	2
9	44-01-0263	SN74LS245	1	2
10	44-01-0087	SN74LS74	1	2
11	44-01-0075	SN74LSJ2	1	2
12	44-01-0275	74LS373	1	2
13	44-01-0200	SN7407	1	2
14	44-01-0076	SN74LSJ4	1	2
15	37-01-1025	CCRES 1/4W 1K OHM 5%	3	2
16	37-01-1035	CCRES 1/4W 10K OHM 5%	7	2
17	37-01-1045	CCRES 1/4W 100K OHM 5%	2	2
18	37-08-0002	10K COM SIP 9RES	2	2
19	37-08-0003	100K COM SIP 9 RES	1	2
20	37-08-0001	1K SERIES SIP 4RES	4	2
21	08-02-0020	TAN CAP 10UF 20V 1.5"	4	2
22	08-04-0103	CER CAP .01 MFD. 50V	3	2
23	10-02-0018	MINI RED LED 100 CENT*	16	2
24	77-01-0167	FOX SK10/IF 44 SKT LBL	1	2
25	77-01-0168	FOX IF33 SKT LBL	1	2
26	40-09-0001	8 POSN DIP SWITCH	2	2
27	02-03-0001	SK10-PL JNIV SKT NEW	1	2
28	02-03-0018	SK-50 IF-33 HF SKT R/-	1	2
29	02-03-0021	SK10 HALF/IF44 R/A	1	2
30	20-03-0091	SULLINS ETA28DRJ1 CONN	1	2
31	20-03-0156	PLRZNG KEY LAMINATE	1	1
32	84-04-0002	4-40 X 5/8" FL HD. SC	11	2
33	85-02-0013	#4 SPLIT LW 1/32	11	2
34	86-03-0004	4-40X3/16" HEXNUT SMAL	11	2
35	20-02-0014	14 PIN DIP SKT STD.	5	2
36	20-02-0004	16 PIN DIP SKT STD	11	2
37	20-02-0009	20PIN DIP SKT COM STD	2	2
38	20-02-0040	40 PIN DIP SKT COM STD	1	2
39	77-01-0170	FOX SPKR/BD LBL	2	2
40	34-01-0012	20 COND FLEX CABLE 2LG	2	2
41	40-03-0024	SPST PWR SWITCH ALCO	1	2
42	40-04-0027	SPDT P3 SW ( SHAWDOW )	1	2
43	20-03-0221	5-PIN DIN PNL.MNT.503	1	2
44	84-02-4380	SCREW 4-40X3/8 PHILI	2	2
45	85-02-0013	#4 SPLIT LW 1/32	2	2
46	86-02-0004	4-40 HEX NUT	2	2

12/09/87

## E &amp; L INSTRUMENTS / GLOBAL SPECIALTIES

## BILL OF MATERIAL LISTING

BOM # 341-0080 THE FOX---MT-80Z

LINE	COMPONENT	DESCRIPTION	QTY	LVL
47	05-03-0208	HOUSING ASSY FOX		1
48	94-03-0089	FOX CASE PFC	1	2
49	84-01-0004	6-19X1/2 PLSTTE BLK	8	2
50	81-01-0129	FX KYPD RTNR PLTE R/A	1	2
51	81-02-0129	FINISH FOR 6190017	1	2
52	77-01-0172	E&L ADDR & LOGO W/B	1	2
53	77-01-0166	FOX PACKAGE LABEL	1	2
54	79-01-0059	FOX BOX	1	2
55	41-01-0075	1200CA-1 ADPT 115V R/B	1	2
56	73-01-0021	MPROF MOD B W/5V ADPTR	1	2
57	02-05-0408	SUPPLIED IC SKTS - MPF	1	2
58	92-01-0009	R33R BMPRS SMITH #2451	4	2
59	66-00-0153	WARNING LBL ATTACHMENT		2
60	85-01-0034	#4 FLAT NYLON WASHER	2	2
61	80-01-0444	MT-80Z SCHEM & BOM MAN	1	1
62	80-01-0443	FOX USERS MANUAL	1	1
63	30-01-0428	E & L WARRANTY CARD	1	1
64	02-05-0446	ASSEMBLY DRAWINGS/INFO		1
65	05-02-0131	SK-10/IF44 HALF DWG		3
66	05-02-0116	FOX PKG/L3L ASS'Y DWG		3
67	05-02-0097	FOX LENS CVR ASS'Y DWG		3
68	05-02-0117	FOX PRE-PROD MODS DWG		3
69	05-03-0287	FOX EXP 3D ASS'Y DWG		3
70	05-03-0286	FOX FINAL WIRING DWG		3
71	05-02-0118	FOX PREP FOR QC DWG		3
72	05-03-0285	FOX CSE/PCB ASS'Y DWG		3