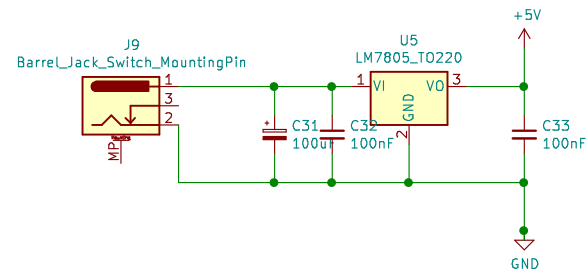


Pin numbering is from the manual. Pin 1-20 equals processor, pin 21-40 are reversed.



Sheet: SerialPorts



File: SerialMem\_MPF-B\_1.sch

Sheet: Memory



File: SerialMem\_MPF-B\_2.sch

Drawn by F.J. Kraan

**Electricrery Corp**

Sheet: /

File: SerialMem\_MPF-B.sch

**Title: Serial-Memory-MPF-1b**

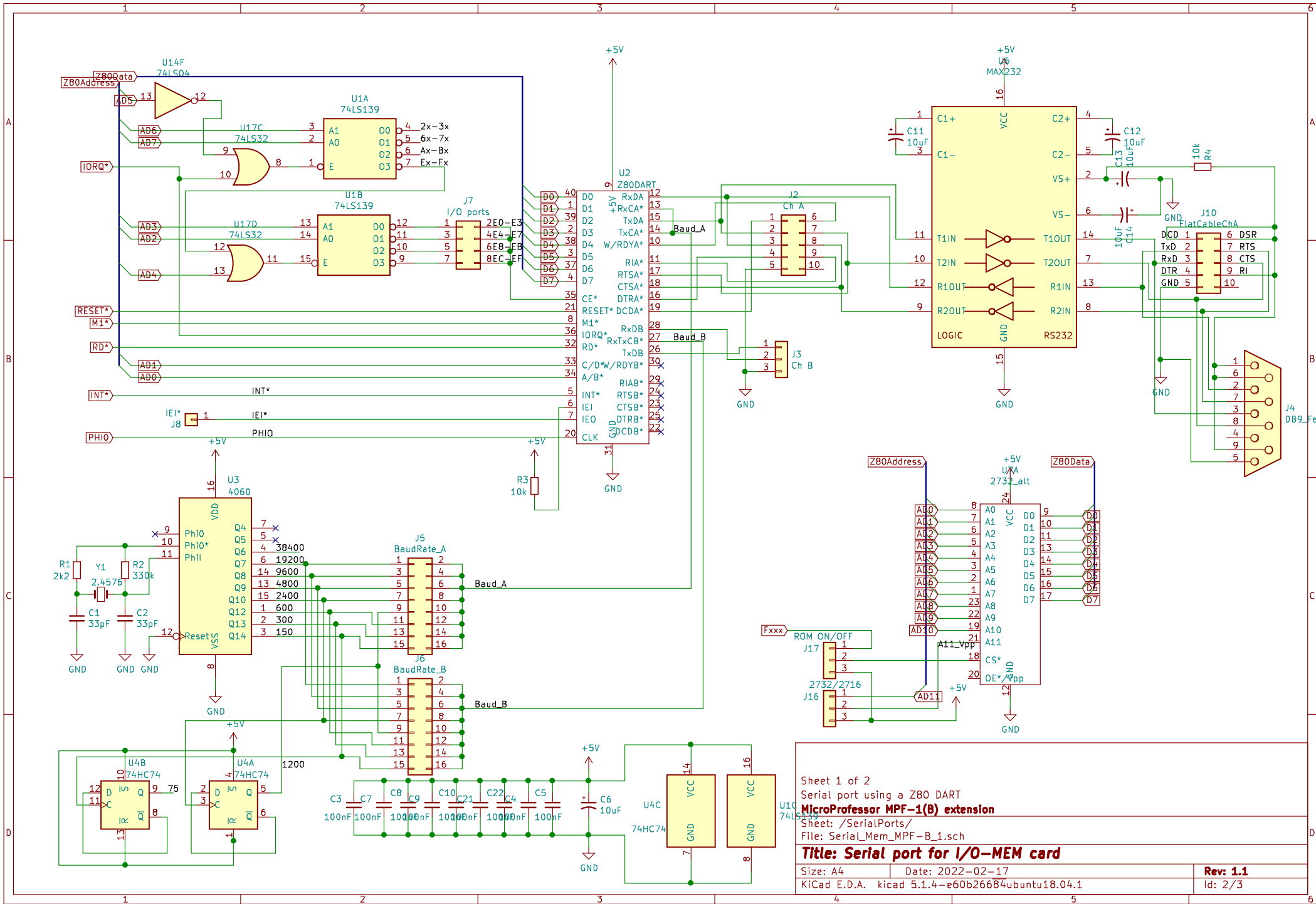
Size: A4

Date: 2022-02-17

**Rev: 1.1**

KiCad E.D.A. kicad 5.1.4-e60b26684ubuntu18.04.1

Id: 1/3



Sheet 1 of 2  
 Serial port using a Z80 DART  
**MicroProfessor MPF-1(B) extension**  
 Sheet: /SerialPorts/  
 File: Serial\_Mem\_MPF-B\_1.sch  
**Title: Serial port for I/O-MEM card**  
 Size: A4 Date: 2022-02-17  
 KiCad E.D.A. kicad 5.1.4-e60b26684ubuntu18.04.1 Rev: 1.1  
 Id: 2/3

